

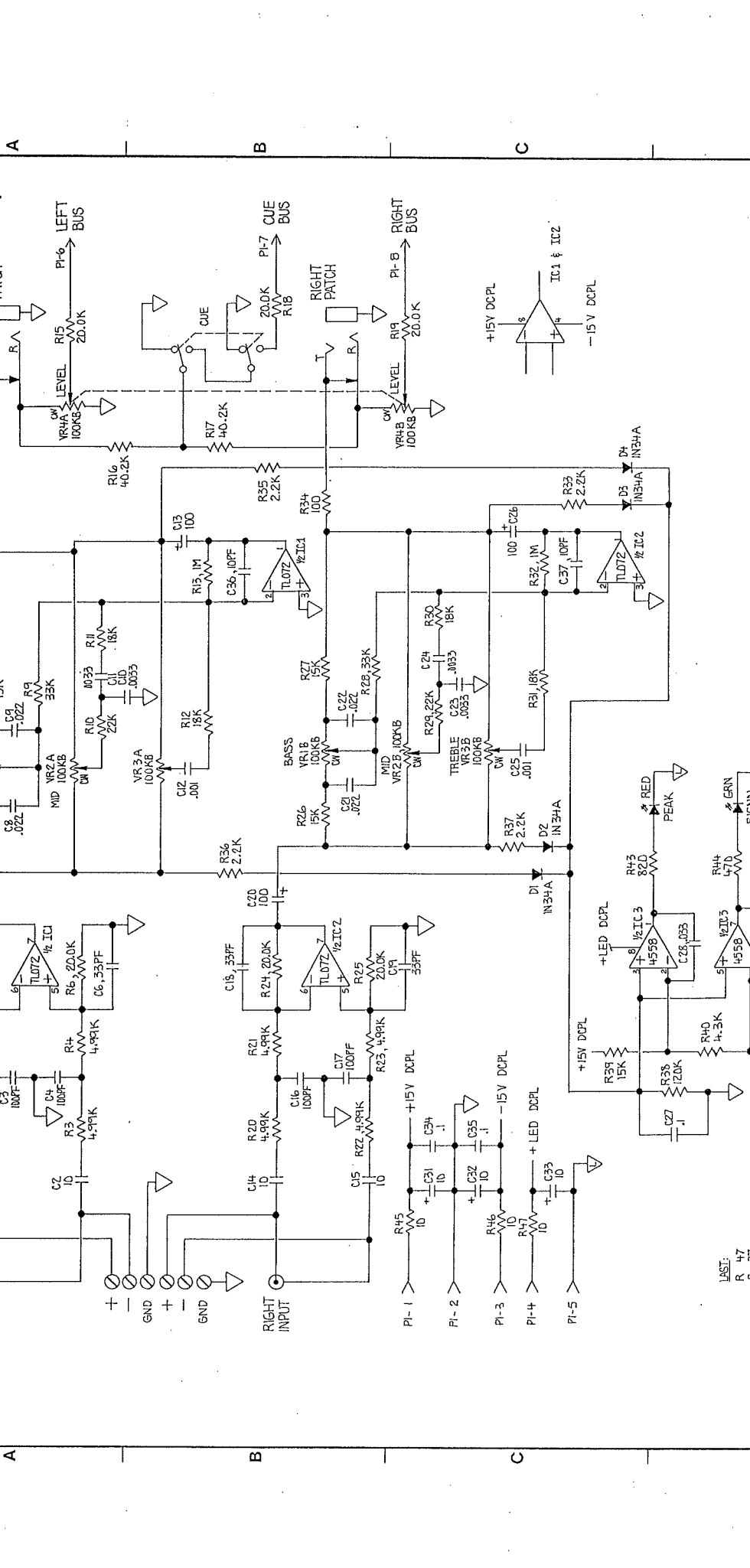
PM602

# Schematic

**B I A M P<sup>®</sup>**

---

S Y S T E M S

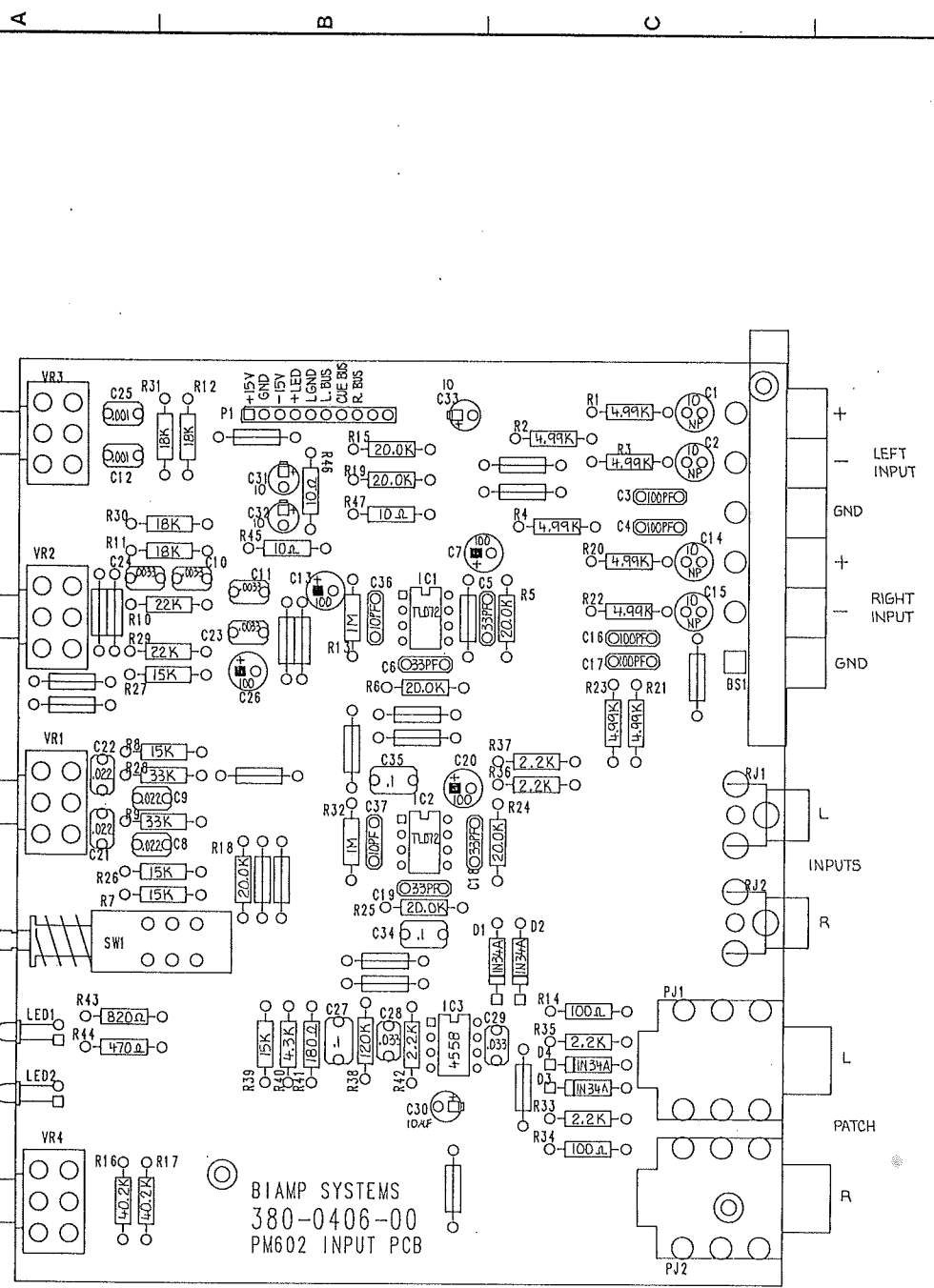


ITEM	DESCRIPTION	SIZE	QTY.
1	UNLESS OTHERWISE SPECIFIED DIMENSIONS ARE IN INCHES. FRACTIONS AND DECIMALS SHALL BE TO NEAREST 0.005 INCHES.		
2	RESISTOR TOLERANCE SHALL BE AS SHOWN ON DRAWING.		
3	YES NO		
4	SCALE NONE		
<b>biamp BIAMP SYSTEMS</b>			
PM 602 INPUT PCB			
SCHEMATIC			
DRAWING NO. 105-50		REV. A	
PART NO. 105-50		SCALE NONE	
ENGINEER		DO NOT SCALE DRAWING	
DESIGNER		SHEET 1 OF 1	
APPROVED			
MATERIAL			
FINISH			
DRAWN BY			
CHECKED BY			
DATE			

LAST:  
 R 47  
 C 37  
 D 4  
 IC 3

REV.	E.C.O.	DATE	BY

CHANGE	DESCRIPTION



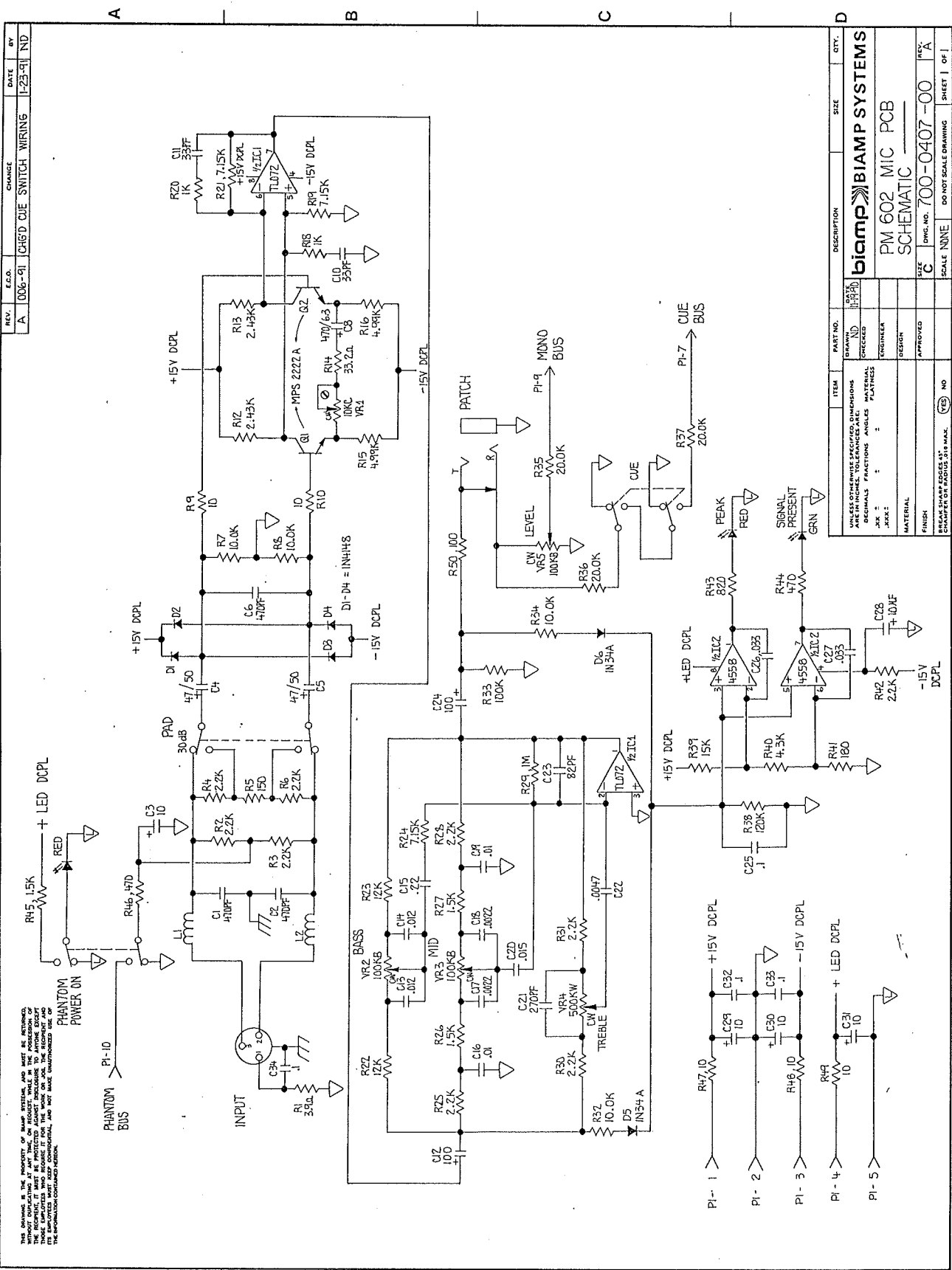
BIAMP SYSTEMS  
380-0406-00  
PM602 INPUT PCB

DATE	DESCRIPTION	SIZE	QTY.
7/20/81	REVISED TO ADD 100K POTENTIOMETER		
7/20/81	REVISED TO ADD 100K POTENTIOMETER		
7/20/81	REVISED TO ADD 100K POTENTIOMETER		
7/20/81	REVISED TO ADD 100K POTENTIOMETER		
7/20/81	REVISED TO ADD 100K POTENTIOMETER		
7/20/81	REVISED TO ADD 100K POTENTIOMETER		

UNLESS OTHERWISE SPECIFIED, ALL DIMENSIONS ARE IN INCHES. DIMENSIONS ARE GIVEN IN PARENTHESES IN MILLIMETERS.
DATE: 7/20/81
DESIGNER: PM602
PCB ENGINEER: S.H.
MATERIAL: Sheet 1 of 1
APPROVED: S.H.
FINISH: 701-0406-00
SCALE: 2/1
DO NOT SCALE DRAWING
YES NO
CHANGE FROM ADDRESS TO MAX.

BIAMP SYSTEMS  
14270 N.W. Science Park Drive  
Portland, Oregon 97229  
(503) 641-7287

THIS DRAWING IS THE PROPERTY OF BIAMP SYSTEMS, AND MUST BE RETURNED TO THE COMPANY, IF NOT BE PROTECTED AGAINST DISCLOSURE TO ANYONE EXCEPT ITS EMPLOYEES. ANY REPRODUCTION OF THIS DRAWING WITHOUT THE WRITTEN PERMISSION OF BIAMP SYSTEMS IS PROHIBITED.



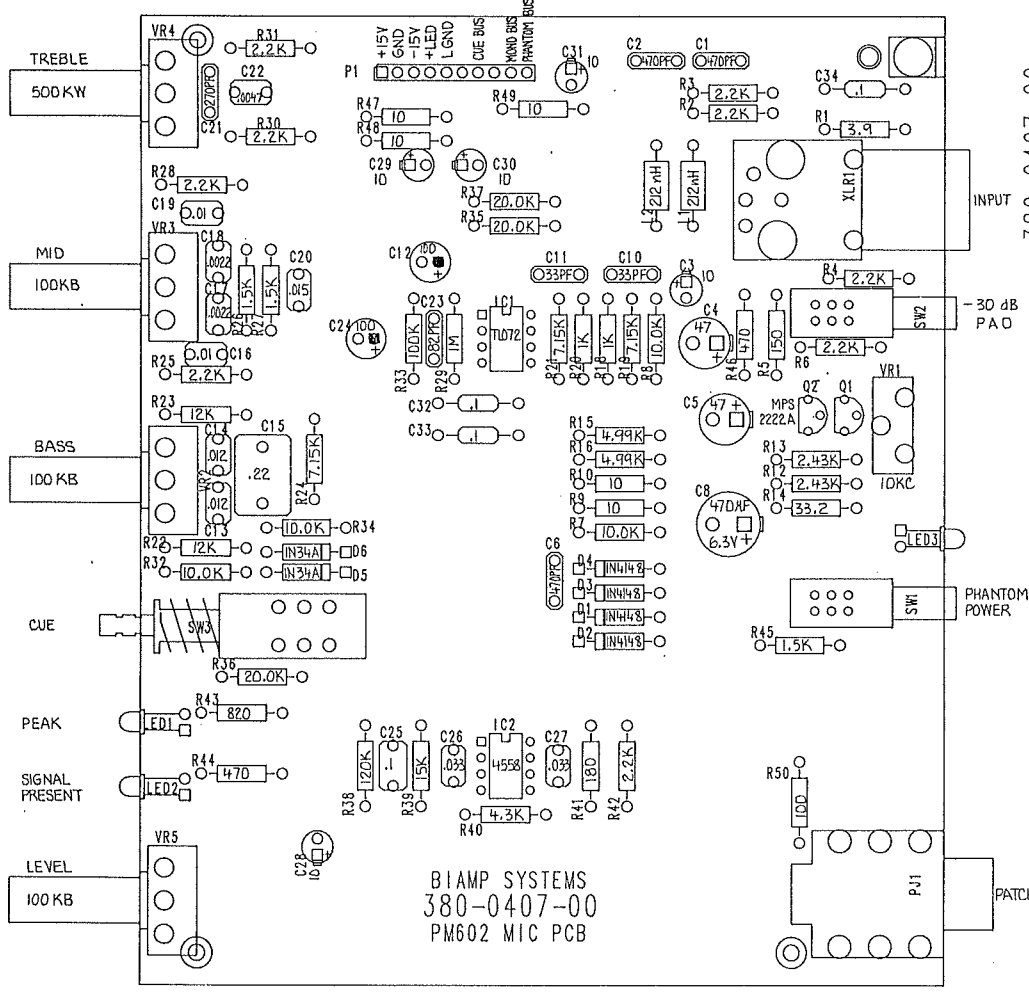
THIS DRAWING IS THE PROPERTY OF BIAMP SYSTEMS, INC. AND IS TO BE KEPT IN CONFIDENTIALITY. IT IS TO BE USED FOR THE MANUFACTURE OF THE PRODUCT, IT MUST BE PROTECTED AGAINST DISCLOSURE TO ANYONE EXCEPT THE EMPLOYEES OF BIAMP SYSTEMS, INC. WHO ARE ADVISED BY THE INFORMATION CONTAINED HEREIN.

ITEM	DESCRIPTION	SIZE	QTY.
PI-1	MONO BUS		
PI-2	CUE		
PI-3	PEAK		
PI-4	SIGNAL PRESENT		
PI-5	CUE BUS		

<b>biamp BIAMP SYSTEMS</b> PM 602 MIC PCB SCHEMATIC	
DRW. NO. 700-0407-00	REV. A
SCALE NONE	DO NOT SCALE DRAWING
SHEET 1	OF 1

A B C D

THIS DRAWING IS THE PROPERTY OF BIAMP SYSTEMS, AND MUST BE RETURNED TO BIAMP SYSTEMS UPON COMPLETION OF THE PROJECT. IT MUST BE PROTECTED AGAINST DISCLOSURE TO ANYONE EXCEPT BIAMP SYSTEMS PERSONNEL. BIAMP SYSTEMS ASSUMES NO LIABILITY FOR ANY DAMAGE TO EQUIPMENT OR PERSONS ARISING FROM THE USE OF THIS INFORMATION UNLESS OTHERWISE SPECIFIED.



BIAMP SYSTEMS  
380-0407-00  
PM602 MIC PCB

380-0407-00

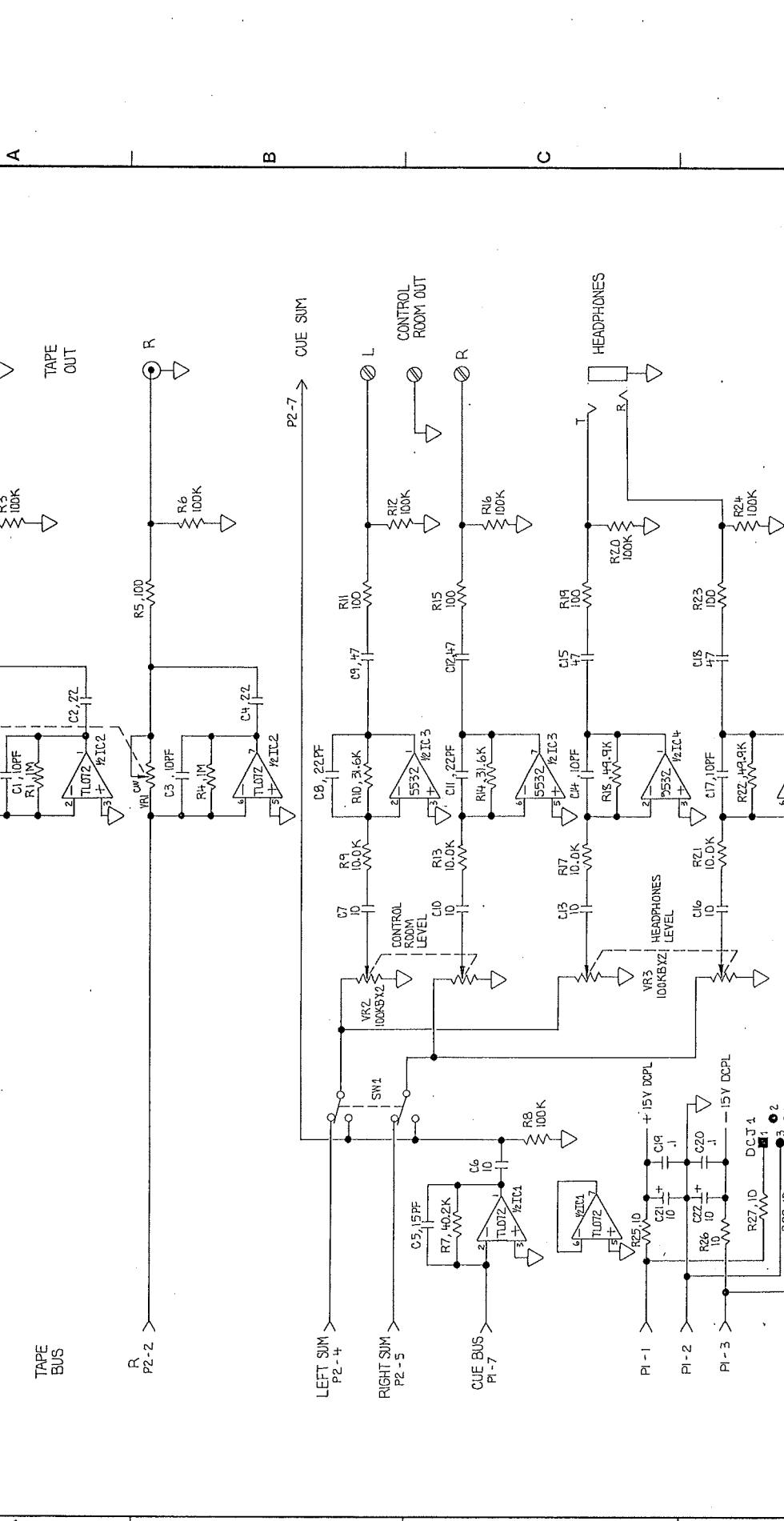
DESCRIPTION	SIZE	QTY.
PM602 MIC PCB		
UNLESS OTHERWISE SPECIFIED, ALL DIMENSIONS ARE IN INCHES. DECIMALS AND FRACTIONS ANGLES PLACES		
.X.X		
.X.XX		
MATERIAL		
DESIGNER		
APPROVED		
FINISH		
UNLESS OTHERWISE SPECIFIED, ALL DIMENSIONS ARE IN INCHES. DECIMALS AND FRACTIONS ANGLES PLACES		
SCALE 2/A	DO NOT SCALE DRAWING	SHEET 1 OF 1

**BIAMP SYSTEMS**  
COMPONENT LAYOUT  
PM602 MIC PCB

BIAMP SYSTEMS  
14270 N.W. Science Park Drive  
Portland, Oregon 97229  
(503) 641-7287

A B C D

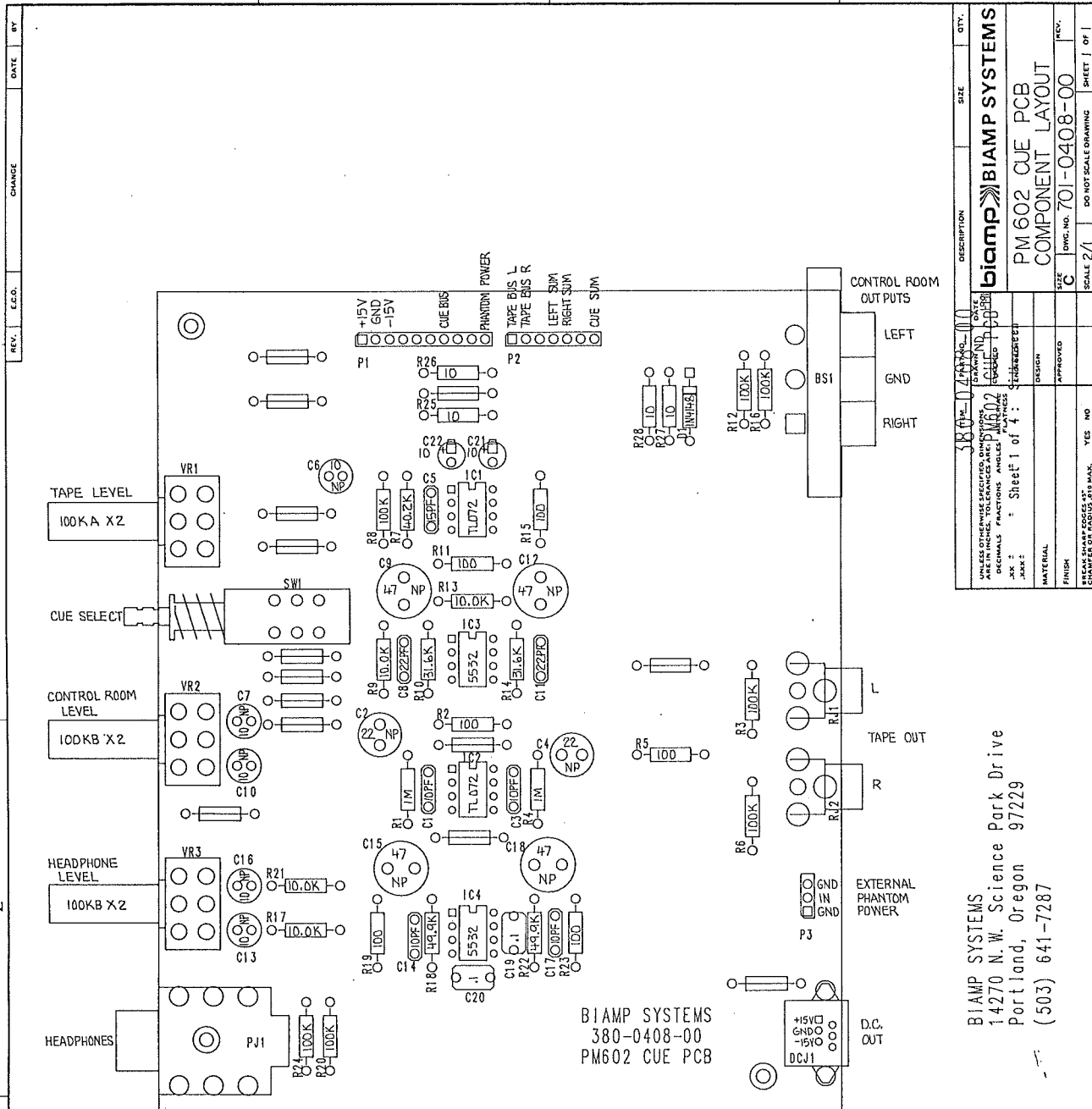
THIS DRAWING IS THE PROPERTY OF BIAMP SYSTEMS, INC. AND MUST BE RETURNED TO THE COMPANY IF IT IS NOT TO BE USED. THE INFORMATION CONTAINED HEREIN IS UNCLASSIFIED EXCEPT WHERE SHOWN OTHERWISE. THIS INFORMATION IS NOT TO BE RELEASED TO ANYONE EXCEPT AUTHORIZED PERSONNEL OF THE COMPANY. THE INFORMATION CONTAINED HEREIN IS UNCLASSIFIED EXCEPT WHERE SHOWN OTHERWISE.



ITEM	DESCRIPTION	SIZE	QTY.
1	UNLESS OTHERWISE SPECIFIED, DIMENSIONS ARE IN MILLIMETERS (INCHES IN PARENTHESES)		
2	RESISTORS: 1% TOLERANCE		
3	CAPACITORS: 5% TOLERANCE		
4	OP-AMP: TL072, TL074		
5	POTENTIOMETERS: 100KΩ		
6	RESISTORS: 100KΩ		
7	CAPACITORS: 22PF		
8	RESISTORS: 100KΩ		
9	CAPACITORS: 100NF		
10	RESISTORS: 100KΩ		
11	CAPACITORS: 100NF		
12	RESISTORS: 100KΩ		
13	CAPACITORS: 100NF		
14	RESISTORS: 100KΩ		
15	CAPACITORS: 100NF		
16	RESISTORS: 100KΩ		
17	CAPACITORS: 100NF		
18	RESISTORS: 100KΩ		
19	CAPACITORS: 100NF		
20	RESISTORS: 100KΩ		
21	CAPACITORS: 100NF		
22	RESISTORS: 100KΩ		
23	CAPACITORS: 100NF		
24	RESISTORS: 100KΩ		
25	CAPACITORS: 100NF		
26	RESISTORS: 100KΩ		
27	CAPACITORS: 100NF		
28	RESISTORS: 100KΩ		
29	CAPACITORS: 100NF		
30	RESISTORS: 100KΩ		
31	CAPACITORS: 100NF		
32	RESISTORS: 100KΩ		
33	CAPACITORS: 100NF		
34	RESISTORS: 100KΩ		
35	CAPACITORS: 100NF		
36	RESISTORS: 100KΩ		
37	CAPACITORS: 100NF		
38	RESISTORS: 100KΩ		
39	CAPACITORS: 100NF		
40	RESISTORS: 100KΩ		
41	CAPACITORS: 100NF		
42	RESISTORS: 100KΩ		
43	CAPACITORS: 100NF		
44	RESISTORS: 100KΩ		
45	CAPACITORS: 100NF		
46	RESISTORS: 100KΩ		
47	CAPACITORS: 100NF		
48	RESISTORS: 100KΩ		
49	CAPACITORS: 100NF		
50	RESISTORS: 100KΩ		
51	CAPACITORS: 100NF		
52	RESISTORS: 100KΩ		
53	CAPACITORS: 100NF		
54	RESISTORS: 100KΩ		
55	CAPACITORS: 100NF		
56	RESISTORS: 100KΩ		
57	CAPACITORS: 100NF		
58	RESISTORS: 100KΩ		
59	CAPACITORS: 100NF		
60	RESISTORS: 100KΩ		
61	CAPACITORS: 100NF		
62	RESISTORS: 100KΩ		
63	CAPACITORS: 100NF		
64	RESISTORS: 100KΩ		
65	CAPACITORS: 100NF		
66	RESISTORS: 100KΩ		
67	CAPACITORS: 100NF		
68	RESISTORS: 100KΩ		
69	CAPACITORS: 100NF		
70	RESISTORS: 100KΩ		
71	CAPACITORS: 100NF		
72	RESISTORS: 100KΩ		
73	CAPACITORS: 100NF		
74	RESISTORS: 100KΩ		
75	CAPACITORS: 100NF		
76	RESISTORS: 100KΩ		
77	CAPACITORS: 100NF		
78	RESISTORS: 100KΩ		
79	CAPACITORS: 100NF		
80	RESISTORS: 100KΩ		
81	CAPACITORS: 100NF		
82	RESISTORS: 100KΩ		
83	CAPACITORS: 100NF		
84	RESISTORS: 100KΩ		
85	CAPACITORS: 100NF		
86	RESISTORS: 100KΩ		
87	CAPACITORS: 100NF		
88	RESISTORS: 100KΩ		
89	CAPACITORS: 100NF		
90	RESISTORS: 100KΩ		
91	CAPACITORS: 100NF		
92	RESISTORS: 100KΩ		
93	CAPACITORS: 100NF		
94	RESISTORS: 100KΩ		
95	CAPACITORS: 100NF		
96	RESISTORS: 100KΩ		
97	CAPACITORS: 100NF		
98	RESISTORS: 100KΩ		
99	CAPACITORS: 100NF		
100	RESISTORS: 100KΩ		

ITEM	DESCRIPTION	SIZE	QTY.
1	UNLESS OTHERWISE SPECIFIED, DIMENSIONS ARE IN MILLIMETERS (INCHES IN PARENTHESES)		
2	RESISTORS: 1% TOLERANCE		
3	CAPACITORS: 5% TOLERANCE		
4	OP-AMP: TL072, TL074		
5	POTENTIOMETERS: 100KΩ		
6	RESISTORS: 100KΩ		
7	CAPACITORS: 22PF		
8	RESISTORS: 100KΩ		
9	CAPACITORS: 100NF		
10	RESISTORS: 100KΩ		
11	CAPACITORS: 100NF		
12	RESISTORS: 100KΩ		
13	CAPACITORS: 100NF		
14	RESISTORS: 100KΩ		
15	CAPACITORS: 100NF		
16	RESISTORS: 100KΩ		
17	CAPACITORS: 100NF		
18	RESISTORS: 100KΩ		
19	CAPACITORS: 100NF		
20	RESISTORS: 100KΩ		
21	CAPACITORS: 100NF		
22	RESISTORS: 100KΩ		
23	CAPACITORS: 100NF		
24	RESISTORS: 100KΩ		
25	CAPACITORS: 100NF		
26	RESISTORS: 100KΩ		
27	CAPACITORS: 100NF		
28	RESISTORS: 100KΩ		
29	CAPACITORS: 100NF		
30	RESISTORS: 100KΩ		
31	CAPACITORS: 100NF		
32	RESISTORS: 100KΩ		
33	CAPACITORS: 100NF		
34	RESISTORS: 100KΩ		
35	CAPACITORS: 100NF		
36	RESISTORS: 100KΩ		
37	CAPACITORS: 100NF		
38	RESISTORS: 100KΩ		
39	CAPACITORS: 100NF		
40	RESISTORS: 100KΩ		
41	CAPACITORS: 100NF		
42	RESISTORS: 100KΩ		
43	CAPACITORS: 100NF		
44	RESISTORS: 100KΩ		
45	CAPACITORS: 100NF		
46	RESISTORS: 100KΩ		
47	CAPACITORS: 100NF		
48	RESISTORS: 100KΩ		
49	CAPACITORS: 100NF		
50	RESISTORS: 100KΩ		
51	CAPACITORS: 100NF		
52	RESISTORS: 100KΩ		
53	CAPACITORS: 100NF		
54	RESISTORS: 100KΩ		
55	CAPACITORS: 100NF		
56	RESISTORS: 100KΩ		
57	CAPACITORS: 100NF		
58	RESISTORS: 100KΩ		
59	CAPACITORS: 100NF		
60	RESISTORS: 100KΩ		
61	CAPACITORS: 100NF		
62	RESISTORS: 100KΩ		
63	CAPACITORS: 100NF		
64	RESISTORS: 100KΩ		
65	CAPACITORS: 100NF		
66	RESISTORS: 100KΩ		
67	CAPACITORS: 100NF		
68	RESISTORS: 100KΩ		
69	CAPACITORS: 100NF		
70	RESISTORS: 100KΩ		
71	CAPACITORS: 100NF		
72	RESISTORS: 100KΩ		
73	CAPACITORS: 100NF		
74	RESISTORS: 100KΩ		
75	CAPACITORS: 100NF		
76	RESISTORS: 100KΩ		
77	CAPACITORS: 100NF		
78	RESISTORS: 100KΩ		
79	CAPACITORS: 100NF		
80	RESISTORS: 100KΩ		
81	CAPACITORS: 100NF		
82	RESISTORS: 100KΩ		
83	CAPACITORS: 100NF		
84	RESISTORS: 100KΩ		
85	CAPACITORS: 100NF		
86	RESISTORS: 100KΩ		
87	CAPACITORS: 100NF		
88	RESISTORS: 100KΩ		
89	CAPACITORS: 100NF		
90	RESISTORS: 100KΩ		
91	CAPACITORS: 100NF		
92	RESISTORS: 100KΩ		
93	CAPACITORS: 100NF		
94	RESISTORS: 100KΩ		
95	CAPACITORS: 100NF		
96	RESISTORS: 100KΩ		
97	CAPACITORS: 100NF		
98	RESISTORS: 100KΩ		
99	CAPACITORS: 100NF		
100	RESISTORS: 100KΩ		

A B C D



THIS DRAWING IS THE PROPERTY OF BIAMP SYSTEMS AND MUST BE RETURNED TO BIAMP SYSTEMS UPON COMPLETION OF THE WORK. IT IS TO BE USED ONLY FOR THE PROJECT AND SHOULD NOT BE REPRODUCED OR COPIED IN ANY MANNER WITHOUT THE WRITTEN PERMISSION OF BIAMP SYSTEMS. BIAMP SYSTEMS ASSUMES NO LIABILITY FOR THE WORK OR FOR THE RESULTS THEREOF. THE INFORMATION CONTAINED HEREIN IS UNCLASSIFIED.

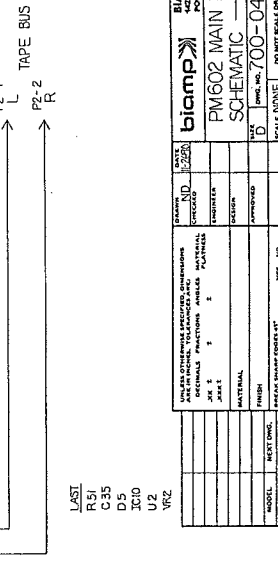
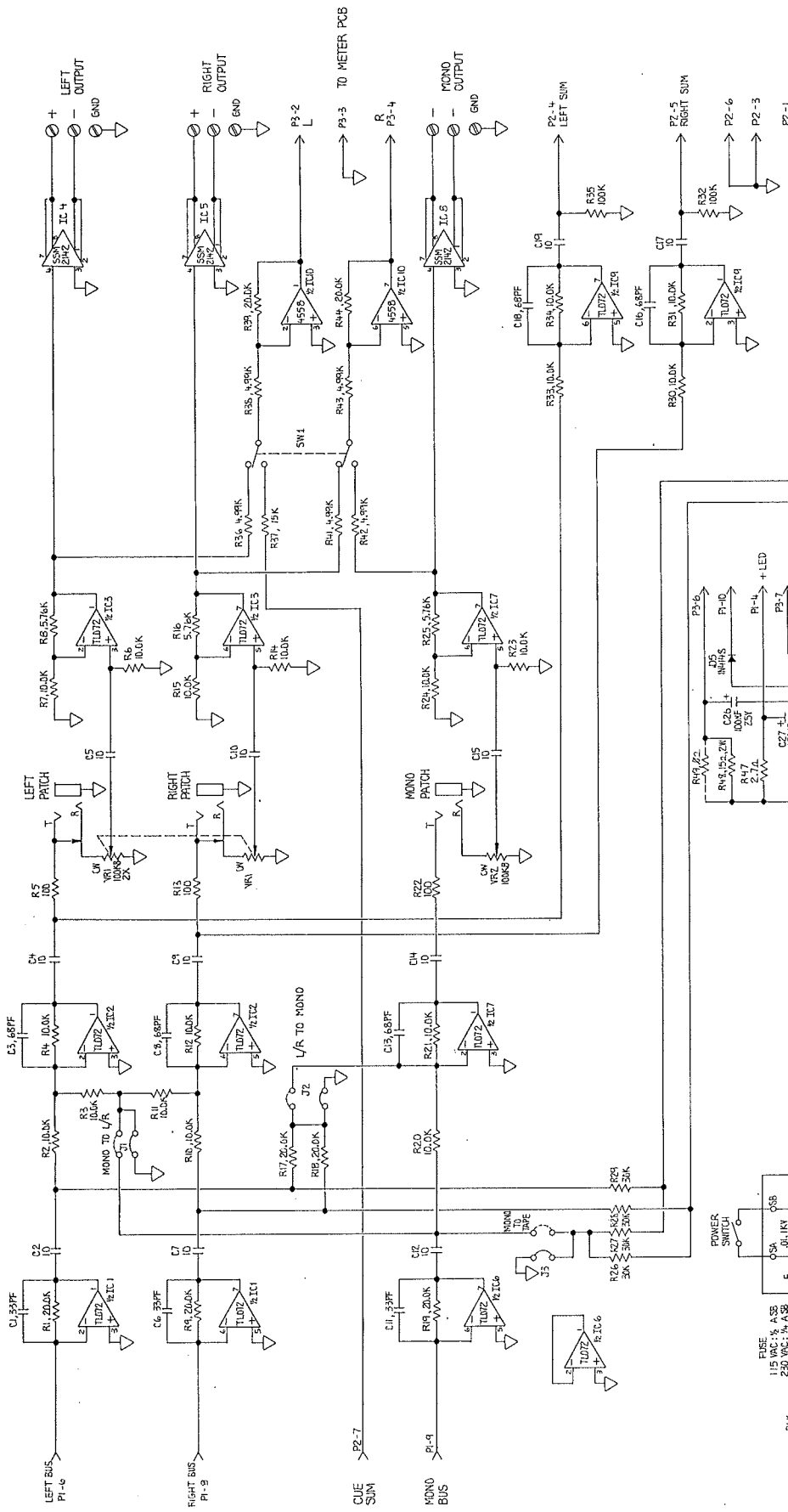
A B C D

DESCRIPTION	SIZE	QTY.
BIAMP SYSTEMS PM602 CUE PCB COMPONENT LAYOUT		
SCALE 2/1		4
DO NOT SCALE DRAWING		
REV.		
DATE		
BY		

BIAMP SYSTEMS  
14270 N.W. Science Park Drive  
Portland, Oregon 97229  
(503) 641-7287

DESCRIPTION	SIZE	QTY.
BIAMP SYSTEMS PM602 CUE PCB COMPONENT LAYOUT		
SCALE 2/1		4
DO NOT SCALE DRAWING		
REV.		
DATE		
BY		

This Drawing is the Property of Biamp Systems, Inc. and shall be returned to Biamp Systems, Inc. upon completion of the project. All other rights reserved. No part of this drawing may be reproduced without written permission from Biamp Systems, Inc.



- LAST
- R 3
- C 35
- D 5
- IC 9
- U 2
- V 2

REV. NO.	DATE	DESCRIPTION

DATE DRAWN	DATE CHECKED	DATE APPROVED

DESIGNED BY	checked
APP'D BY	approved
MATERIAL	material
MANUFACTURE	manuf.
TESTING	test

**biamp**  
BIAMP SYSTEMS, INC.  
100 WILSON AVENUE  
PORTLAND, OR 97202

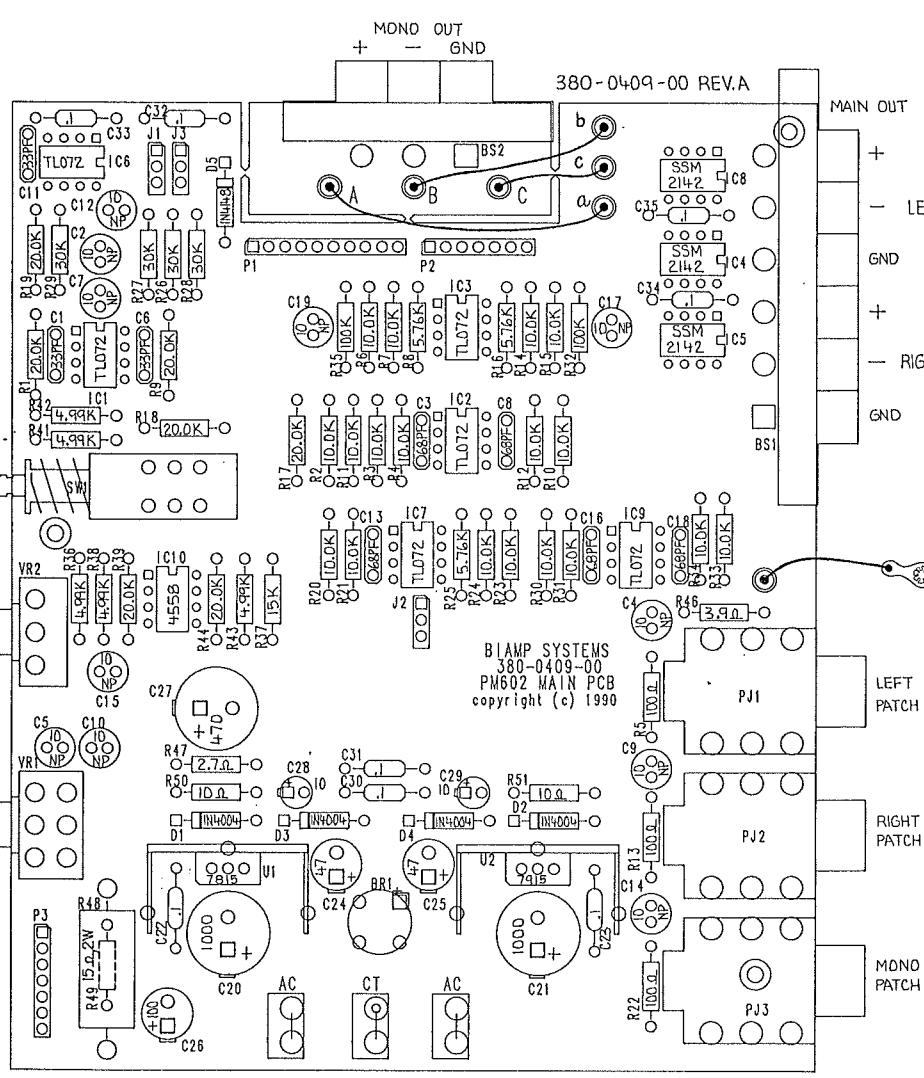
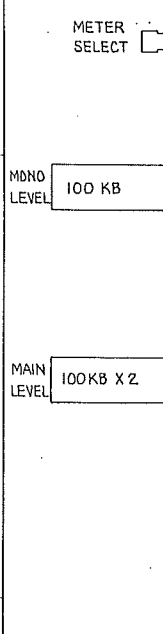
**PM602 MAIN PCB**  
SCHEMATIC

FORM NO. 700-0409-00  
SCALE: NONE

PROJECT: PM602 MAIN PCB  
DRAWING NO. 1252511-ND  
SHEET 1 OF 1



REV.	E.C.O.	CHANGE	DATE	BY
A	1007-91	380-0409-00 REV. A PCB	1-25-91	ND



JUMPER OPTIONS			
MONO SIGNAL TO LEFT/RIGHT	J1		
LEFT/RIGHT SIGNAL TO MONO	J2		
MONO SIGNAL TO TAPE	J3		

DATE	1-25-91	PCB NO.	1-681
DESCRIPTION	BIAMP SYSTEMS COMPONENT LAYOUT PM 602 MAIN PCB		
SIZE	0.701-0409-00	SCALE	Z/1
FINISH	C	DO NOT SCALE DRAWING	4
MATERIAL		YES	NO
DESIGN		APPROVED	
BY			
QTY.			

BIAMP SYSTEMS  
14270 N. W. Science Park Drive  
Portland, Oregon 97229  
(503) 641-7287

THIS DRAWING IS THE PROPERTY OF BIAMP SYSTEMS, AND PART OF A SERIES OF DRAWINGS THAT CONSTITUTE THE COMPLETE DRAWING SET FOR THE PCB. THE INFORMATION CONTAINED HEREIN IS UNCLASSIFIED EXCEPT WHERE SHOWN OTHERWISE. IT IS THE PROPERTY OF BIAMP SYSTEMS AND IS NOT TO BE REPRODUCED OR TRANSMITTED IN ANY FORM OR BY ANY MEANS, ELECTRONIC OR MECHANICAL, INCLUDING PHOTOCOPYING, RECORDING, OR BY ANY INFORMATION STORAGE AND RETRIEVAL SYSTEM, WITHOUT PERMISSION IN WRITING FROM BIAMP SYSTEMS. THE INFORMATION CONTAINED HEREIN IS UNCLASSIFIED EXCEPT WHERE SHOWN OTHERWISE. IT IS THE PROPERTY OF BIAMP SYSTEMS AND IS NOT TO BE REPRODUCED OR TRANSMITTED IN ANY FORM OR BY ANY MEANS, ELECTRONIC OR MECHANICAL, INCLUDING PHOTOCOPYING, RECORDING, OR BY ANY INFORMATION STORAGE AND RETRIEVAL SYSTEM, WITHOUT PERMISSION IN WRITING FROM BIAMP SYSTEMS.