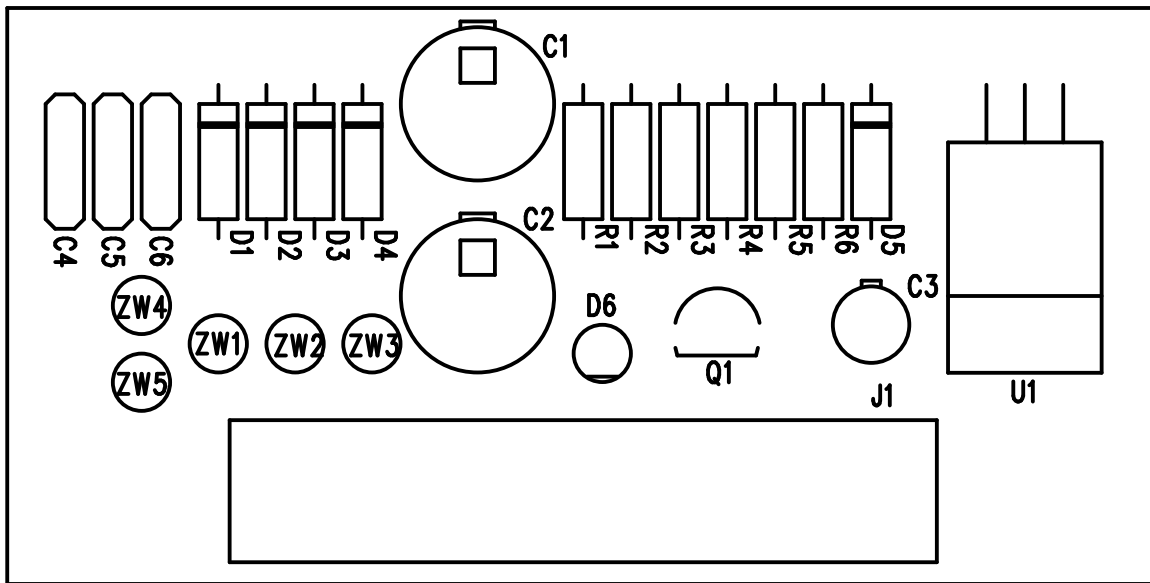


**MA & MAII
Module Adaptors
Schematic**

Released June 25,



380-0469-00

MA PCB

BIAMP SYSTEMS

14130 NW Science Pk Dr

Portland, OR 97229

(503) 641-7287

Sheet 2 of 5: Component Side Copper

6

5

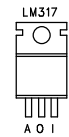
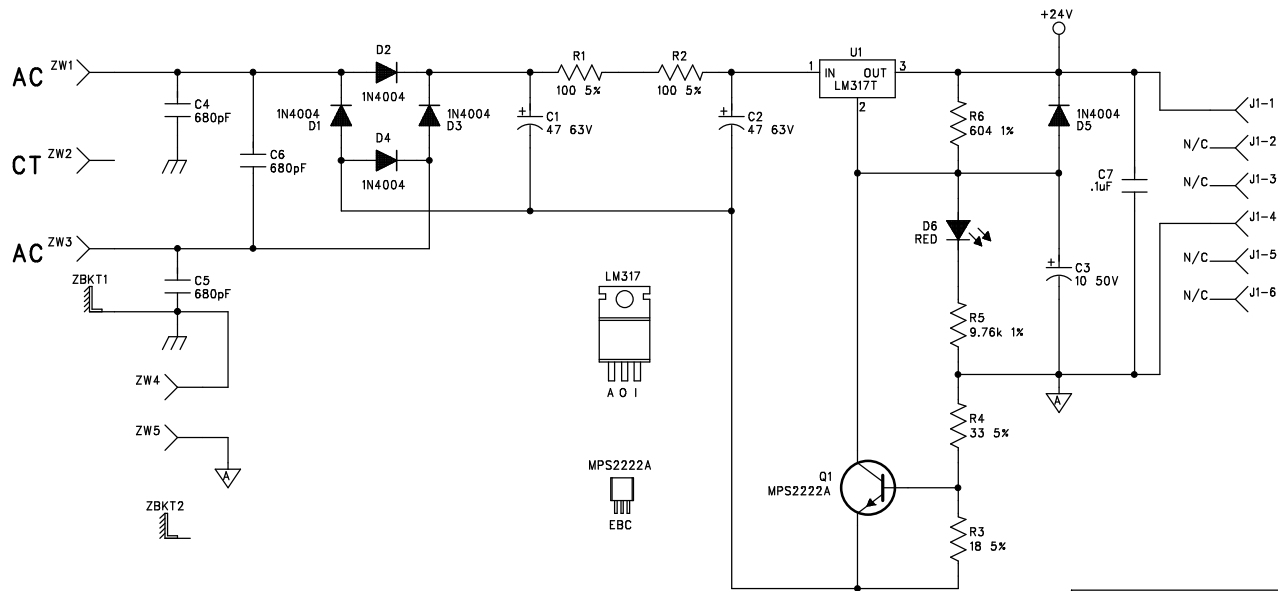
4

3

2

1

REVISION RECORD			
LTR	DESCRIPTION	ECO NO.	DATE:
A	ADDED .1UF CAP TO OUTPUT	135-97	6-1-98



COMPANY:				BIAMP SYSTEMS			
TITLE:				Advantage MA			
DRAWN:		DATED:		CODE:		DRAWING NO:	
MATT CZYZEWSKI		5/22/96		A		700-0469-00	
CHECKED:		DATED:		SIZE:		REV:	
MATT CZYZEWSKI		5/22/96		A		A	
QUALITY CONTROL:		DATED:		SCALE:			
RELEASED:		DATED:		SHEET: 1 OF 1			

D

C

B

A

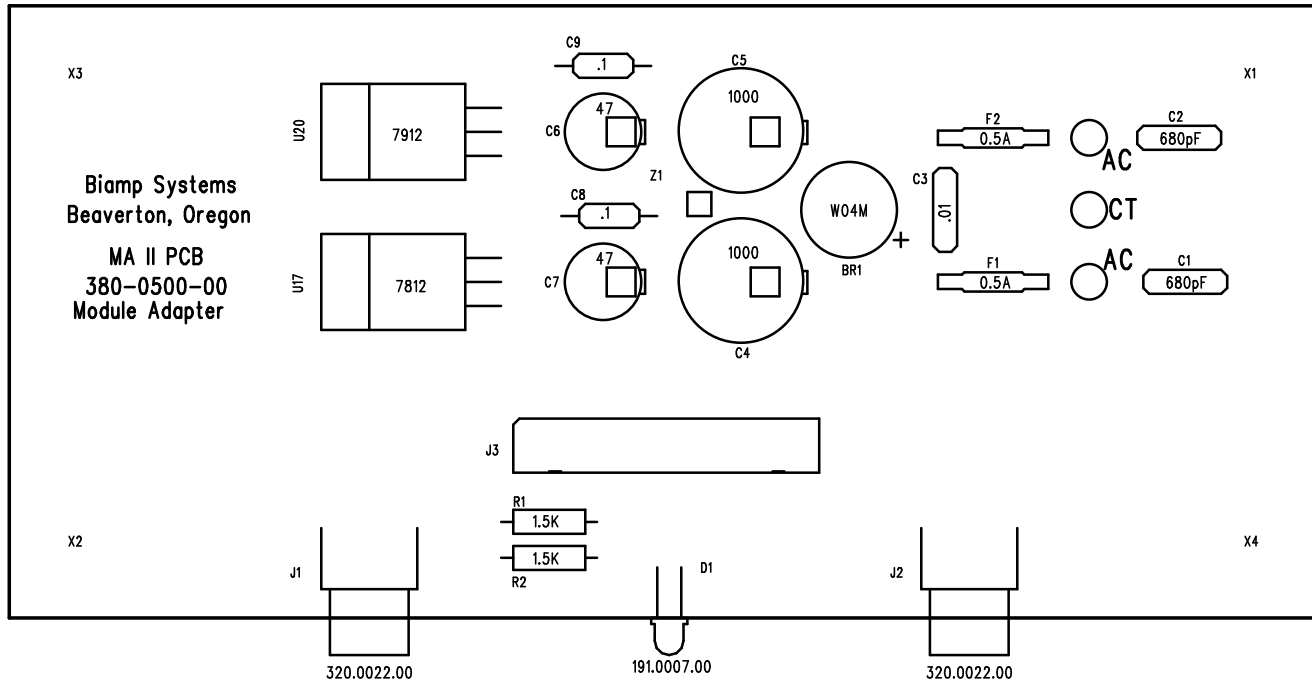
D

C

B

A

RED
BLACK
WHITE



Sheet 1 of 5 : Silkscreen
Sheet 2 of 5 : Component Side

BIAMP SYSTEMS, INC
10074 SW Arctic Drive
Beaverton, Oregon 97005
(503) 641-7287

380-0500-00 REV -

6

5

4

3

2

1

D

C

B

A

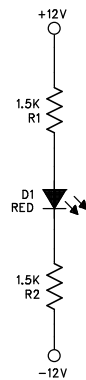
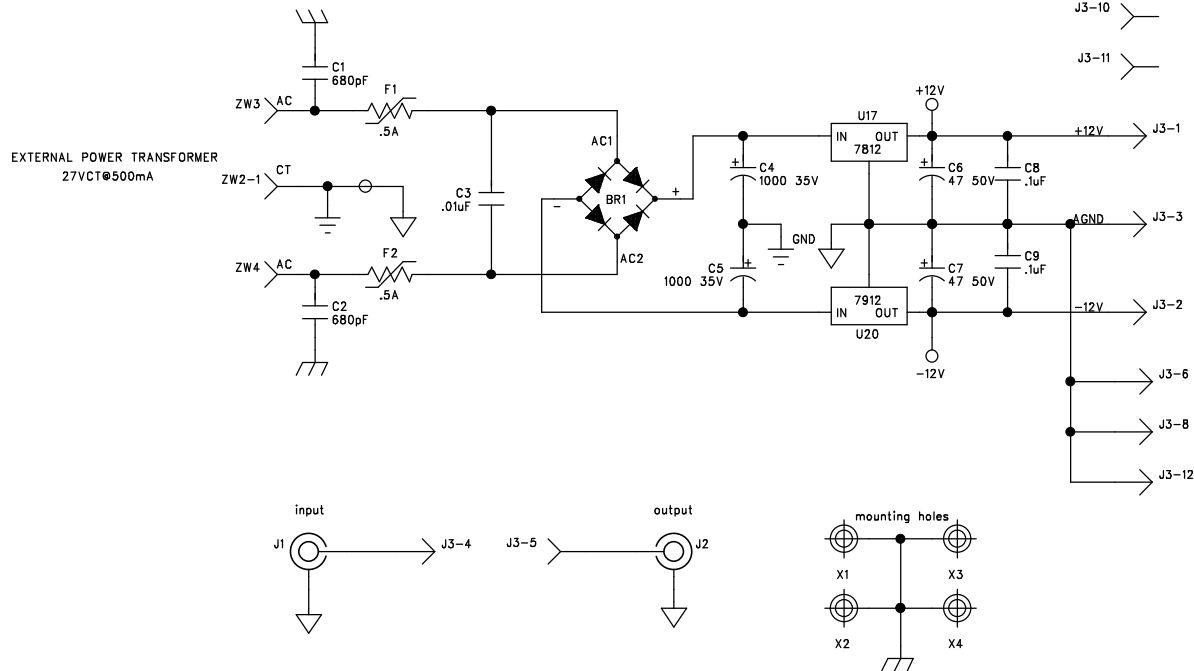
D

C

B

A

REVISION RECORD			
LTR	ECO NO:	APPROVED:	DATE:



BIAMP SYSTEMS 10074 SW Arctic Drive
Beaverton, Oregon 97005

TITLE: MA II - Module Adapter

DRAWN: DB	DATED: 8/9/99
CHECKED:	DATED:
QUALITY CONTROL:	DATED:
RELEASED:	DATED:

SIZE: C	DRAWING NO: 700-0500-00	REV: -
---------	-------------------------	--------

SCALE: SHEET 1 of 1