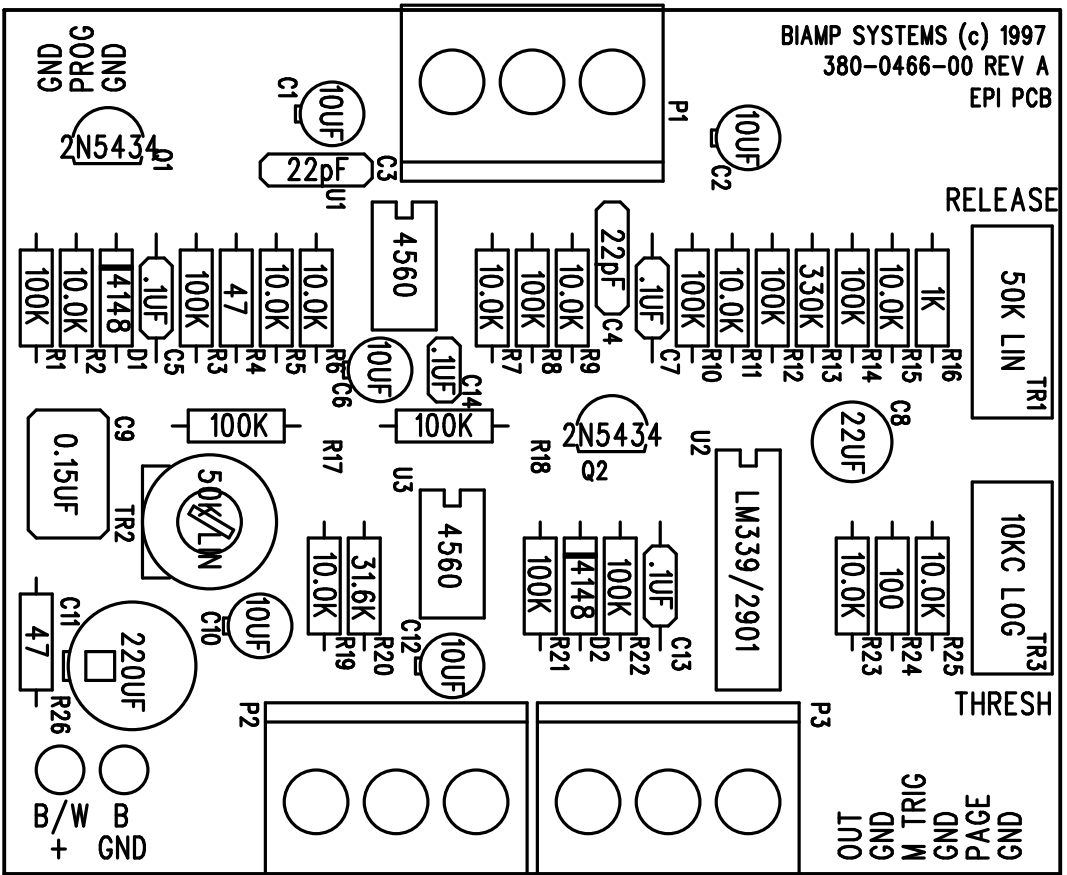


EPI
Emergency Page
Interrupter
Schematic

Released June 25,

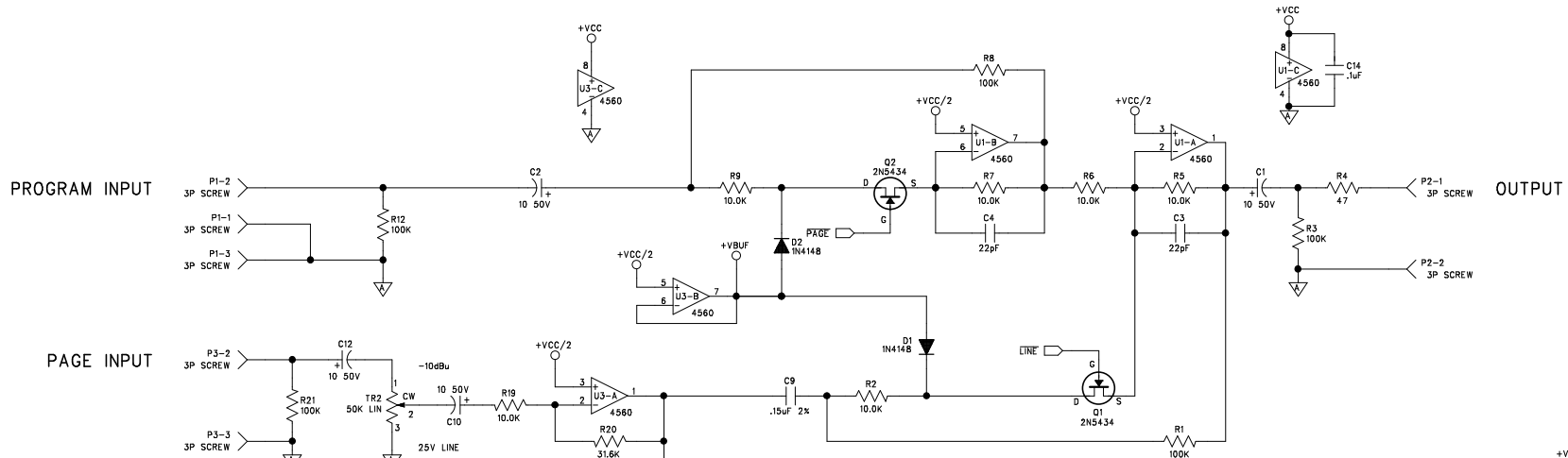


BIAMP SYSTEMS
14130 N.W. Science Park Drive
Portland, Oregon 97229
(503) 641-7287

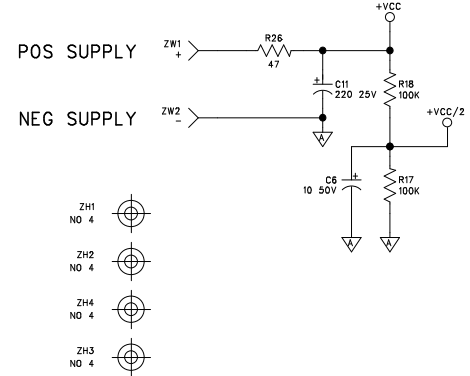
380-0466-00 REV A

REVISION RECORD				
REV	ECO #	DESCRIPTION:	DATE:	BY:
A	256-96	COMPLETE REDESIGN	1/12/96	LRS

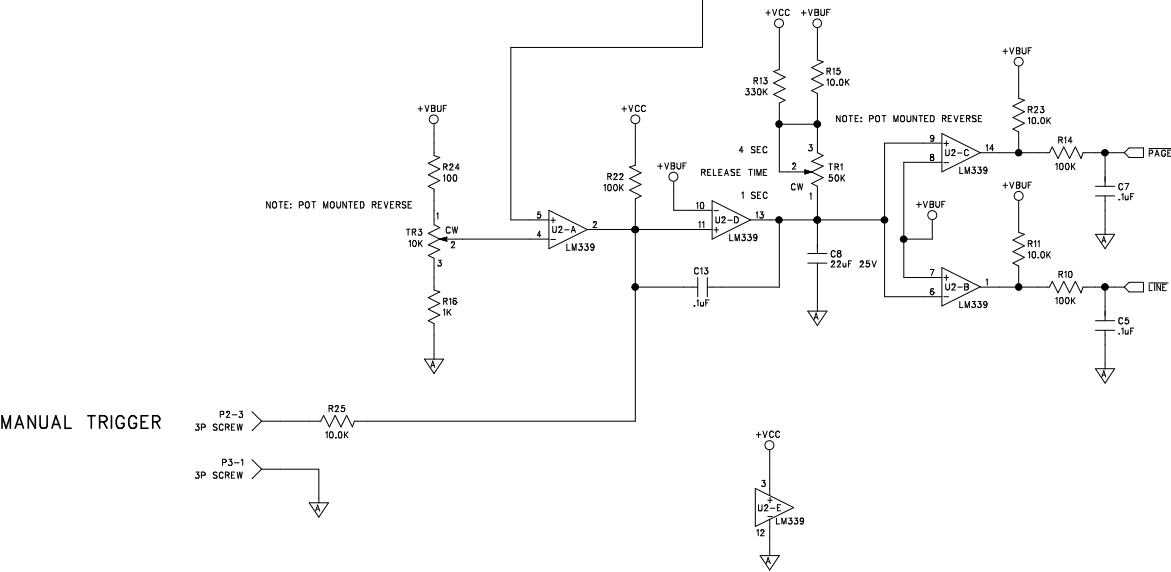
A



B



C



BIAMP SYSTEMS, INC. 14130 NW SCIENCE PARK DRIVE
 PORTLAND, OR 97229

TITLE: EMERGENCY PAGE INTERRUPTER

USED ON:	COPY DATE STAMP:	SIZE: C	DRAWING NO: 700-0466-00	REV: A
DRAWN: L SLAMKA	DATED: 1/12/97	SCALE:	SHEET: 1 OF 1	
APPROVED: L SLAMKA	DATED: 1/12/97			