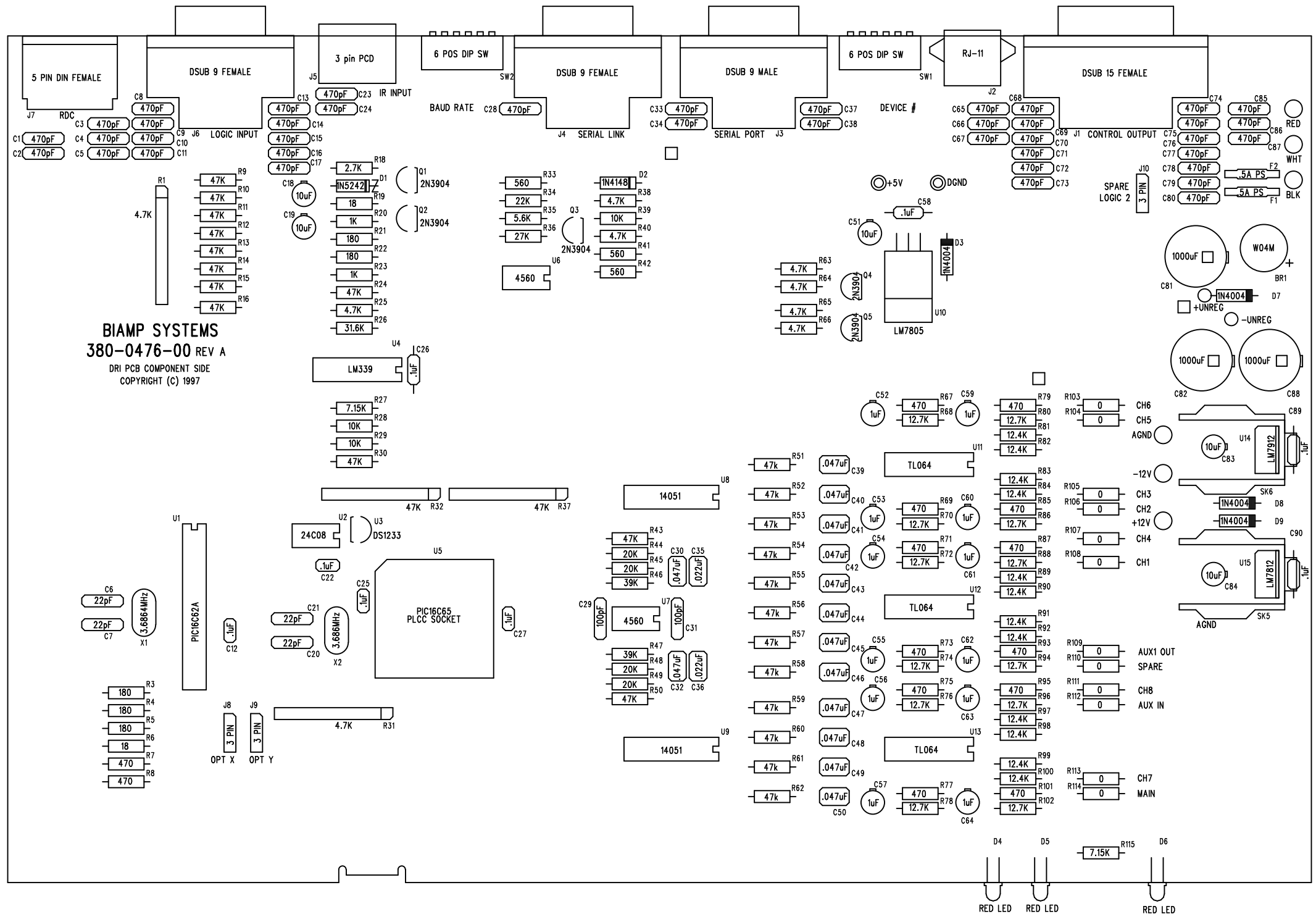


DRI
Digital Remote
Interface
Schematic

Released June 25,



BIAMP SYSTEMS
380-0476-00 REV A
 DRI PCB COMPONENT SIDE
 COPYRIGHT (C) 1997

BIAMP SYSTEMS
 14130 N.W. Science Park Drive
 Portland, Oregon 97229
 (503) 641-7287

380-0476-00 REV A
ADVANTAGE DRI PCB

Sheet 1 of 6 : Component I.D. Silkscreen
 Sheet 2 of 6 : Component Side

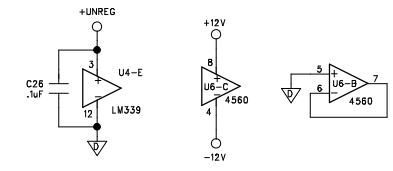
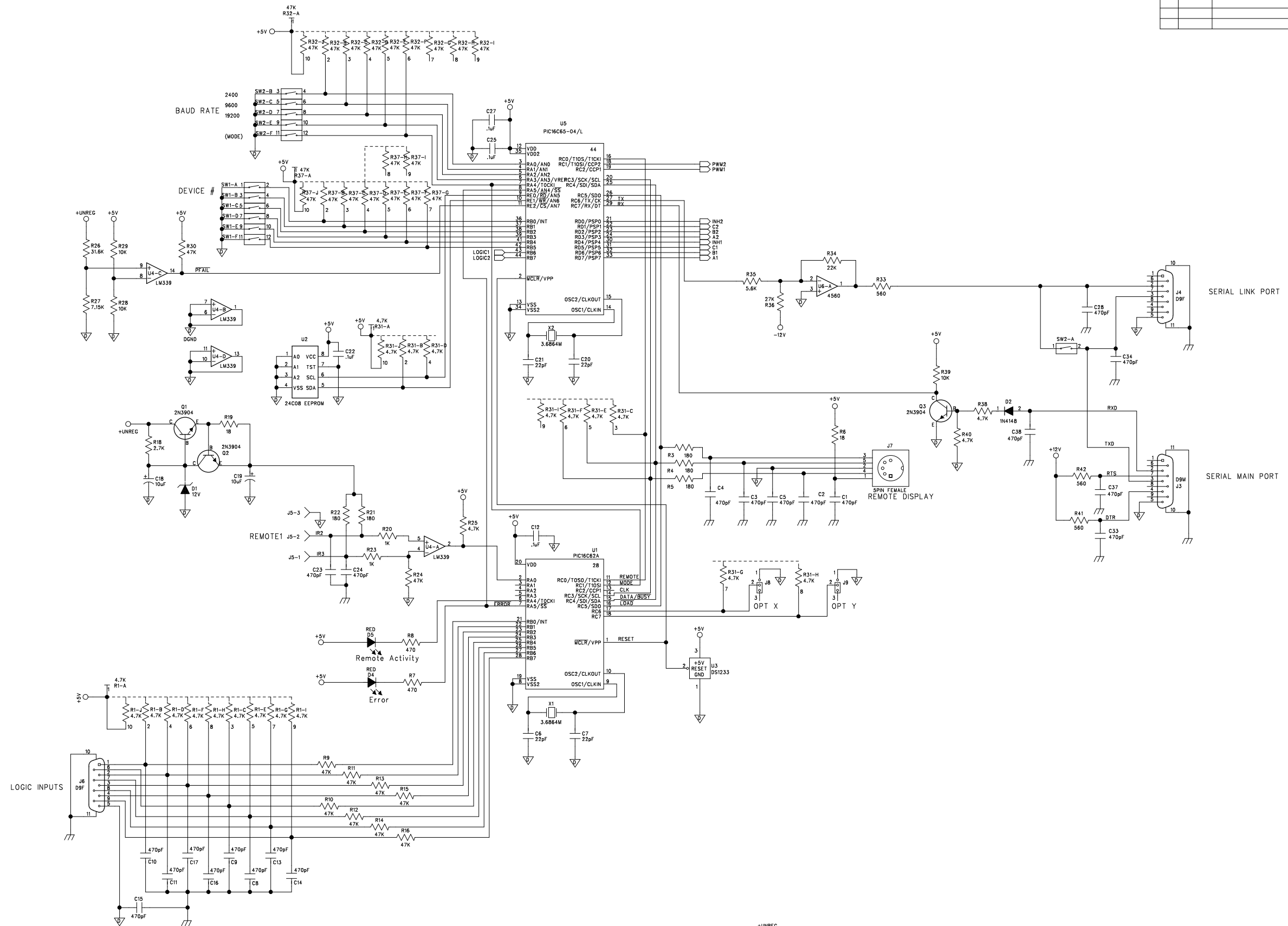
REVISION RECORD				
REV	ECO #	DESCRIPTION:	DATE:	BY:
A	90-97	CHG'D C6,7 & C20,21 TO 22PF	6/19/97	

A

B

C

D



BIAMP SYSTEMS, INC. 14130 NW SCIENCE PARK DRIVE
 PORTLAND, OR 97229

Advantage DRI

USED ON:	COPY DATE STAMP:	SIZE:	DRAWING NO:	REV:
DRAWN: Rick Garner	DATED: 6/19/97		700.0476.00	A
APPROVED:	DATED:	SCALE:	SHEET: 1 OF 2	

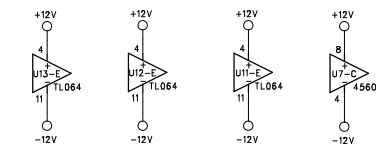
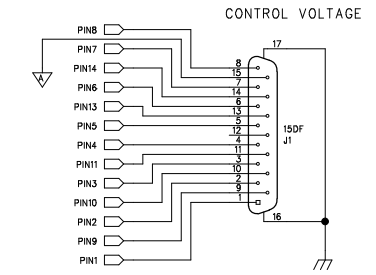
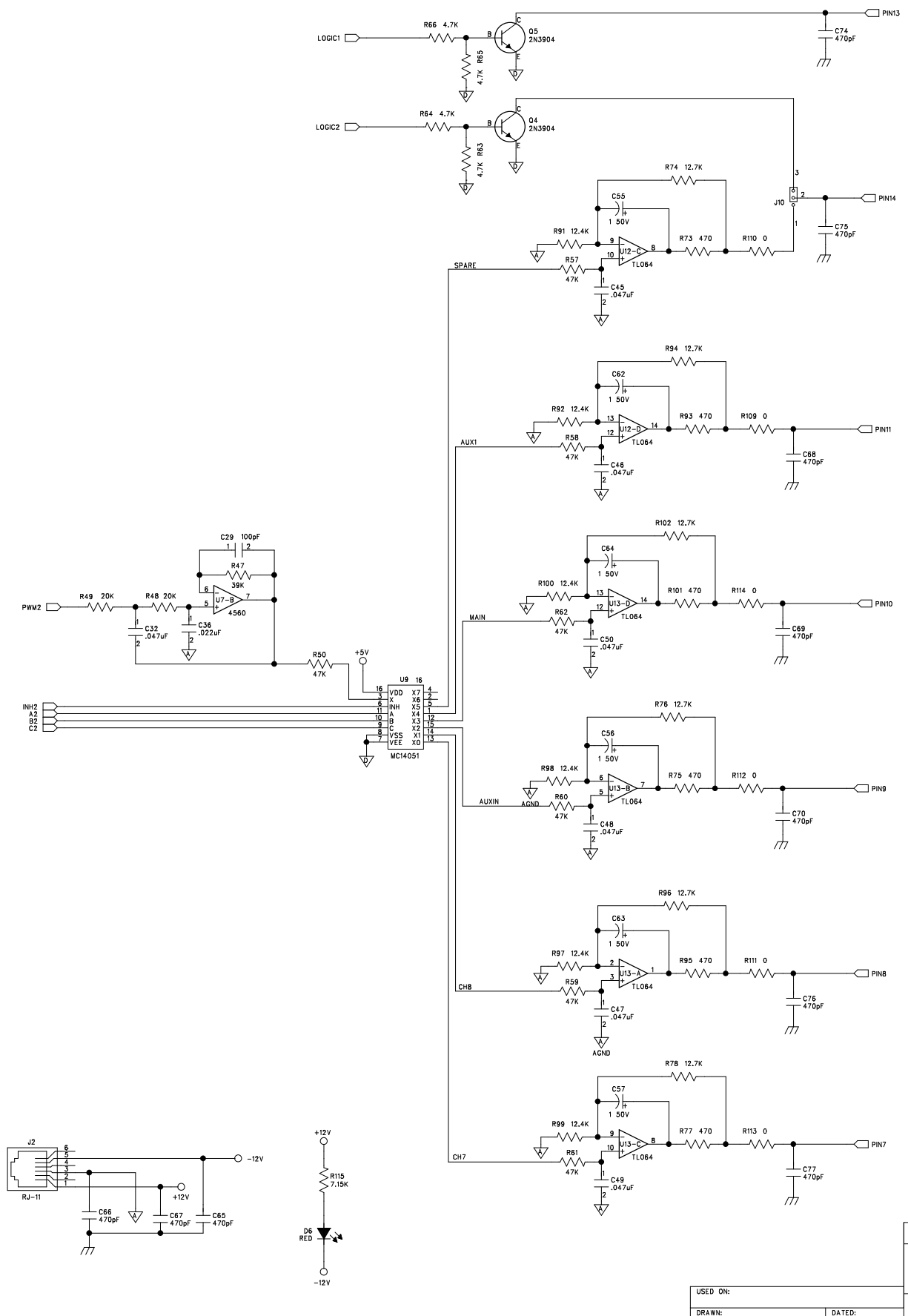
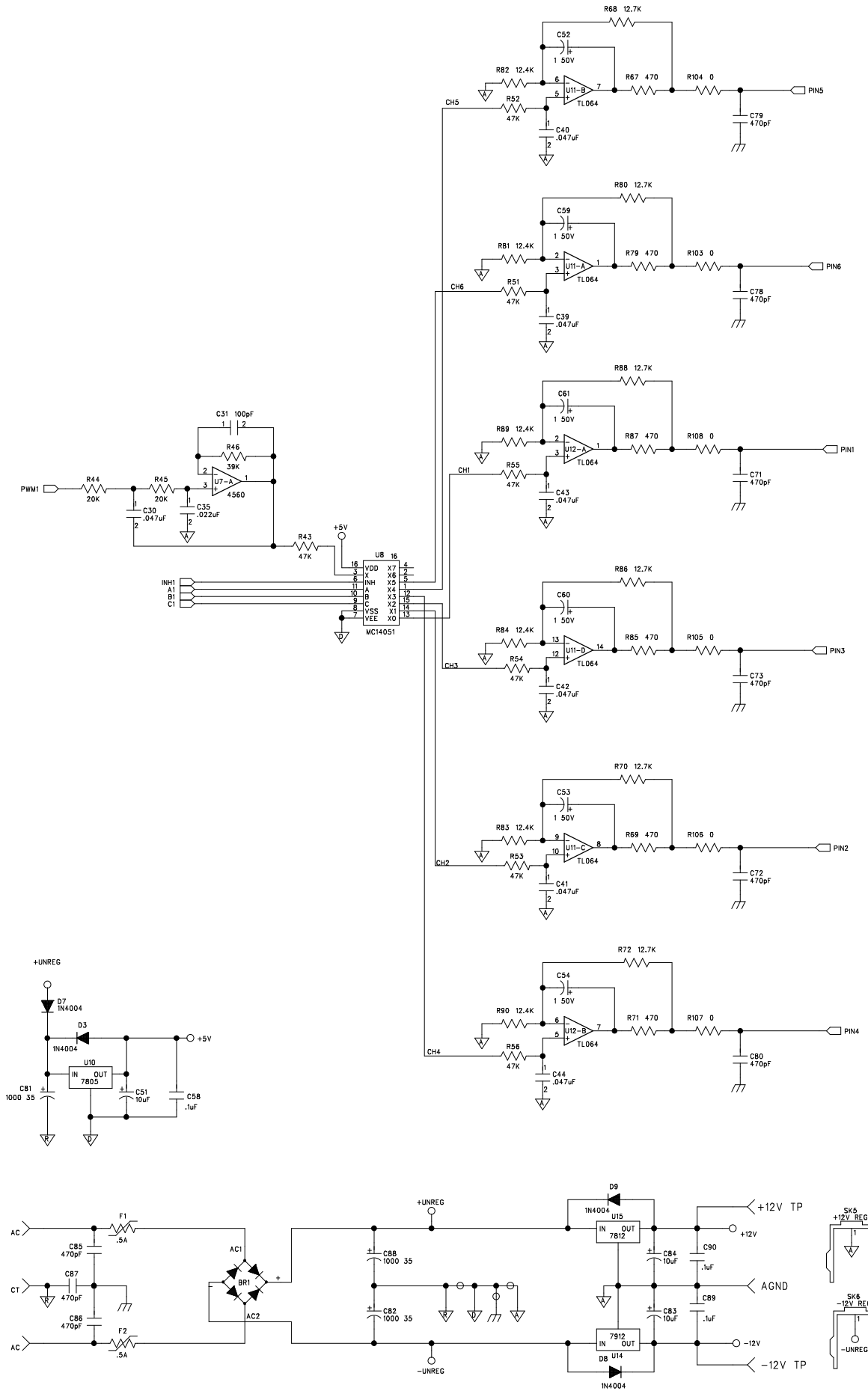
REVISION RECORD				
REV	ECO #	DESCRIPTION:	DATE:	BY:
A	90-97	CHG'D C6,7 & C20,21 TO 22PF	6-19-97	

A

B

C

D



USED ON:	DATE:	COPY DATE STAMP:	SIZE:	DRAWING NO:	REV:
DRAWN: Rick Garner	6/19/97			700.0476.00	A
APPROVED:	DATE:	SCALE:	SHEET: 2 OF 2		

BIAMP SYSTEMS, INC. 14130 NW SCIENCE PARK DRIVE PORTLAND, OR 97229

Advantage DRI