

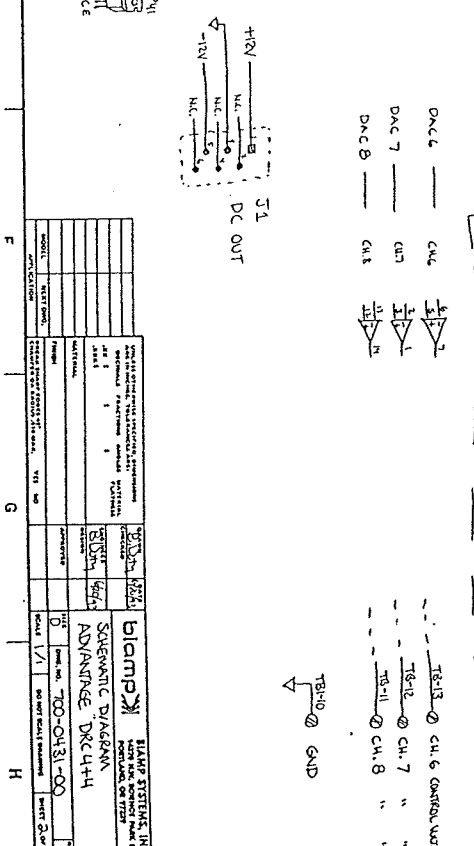
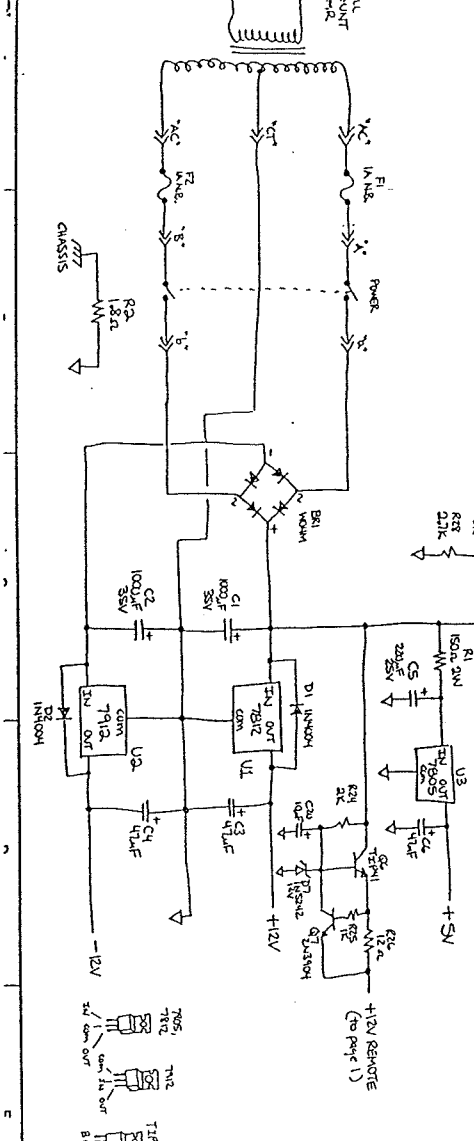
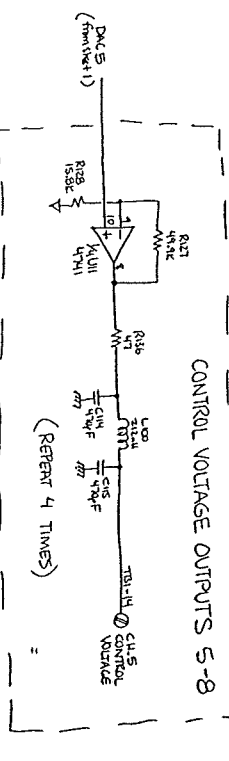
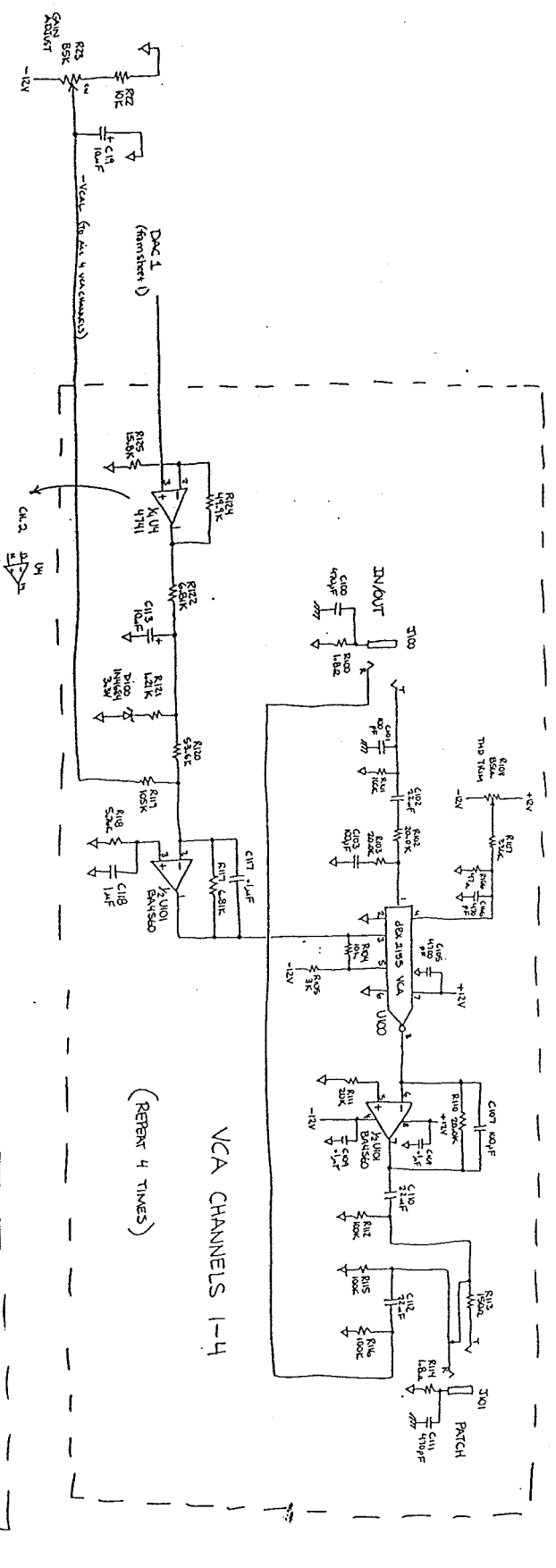
DRC 4+4

Schematic

B I A M P[®]

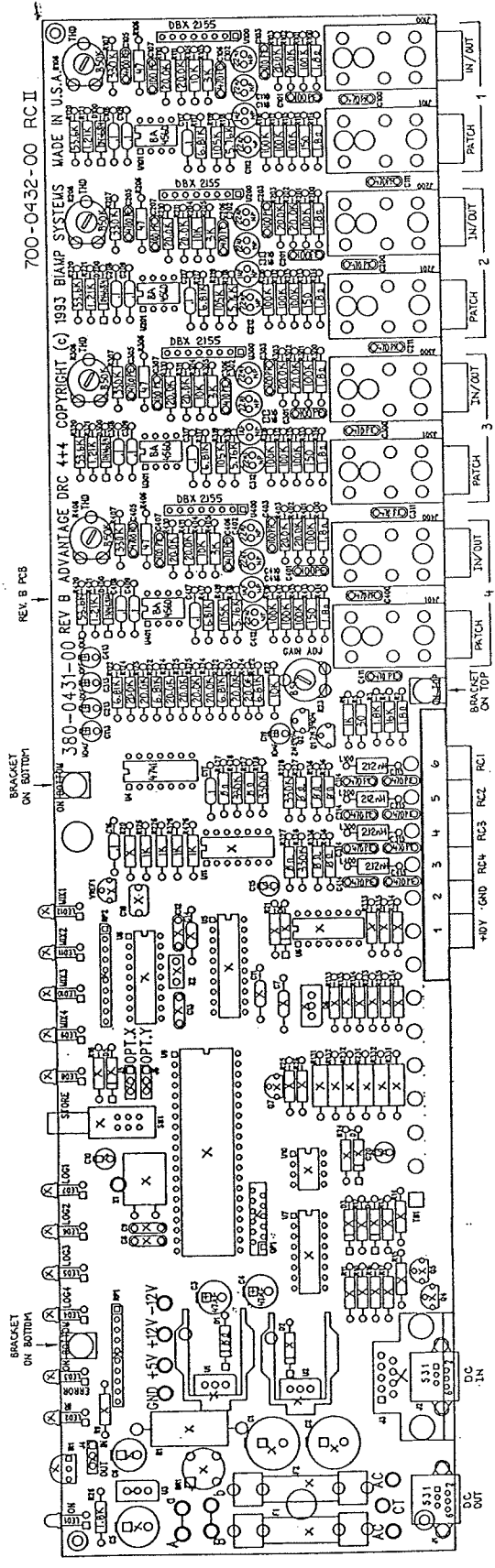
S Y S T E M S

THIS IS A PRELIMINARY DRAWING. IT IS SUBJECT TO CHANGE WITHOUT NOTICE. THE USER SHALL BE RESPONSIBLE FOR VERIFYING THE ACCURACY OF THE INFORMATION CONTAINED HEREIN.



REV.	DATE	DESCRIPTION
1	10/1/78	INITIAL DESIGN
2	10/15/78	REVISED FOR MANUFACTURING
3	10/25/78	REVISED FOR MANUFACTURING
4	11/1/78	REVISED FOR MANUFACTURING

Blamp Inc.
 1145 PINE STREET
 BOSTON, MASSACHUSETTS 02114
 TEL: 617-552-1145
 FAX: 617-552-1146



NOTE:
X = NOT INSTALLED

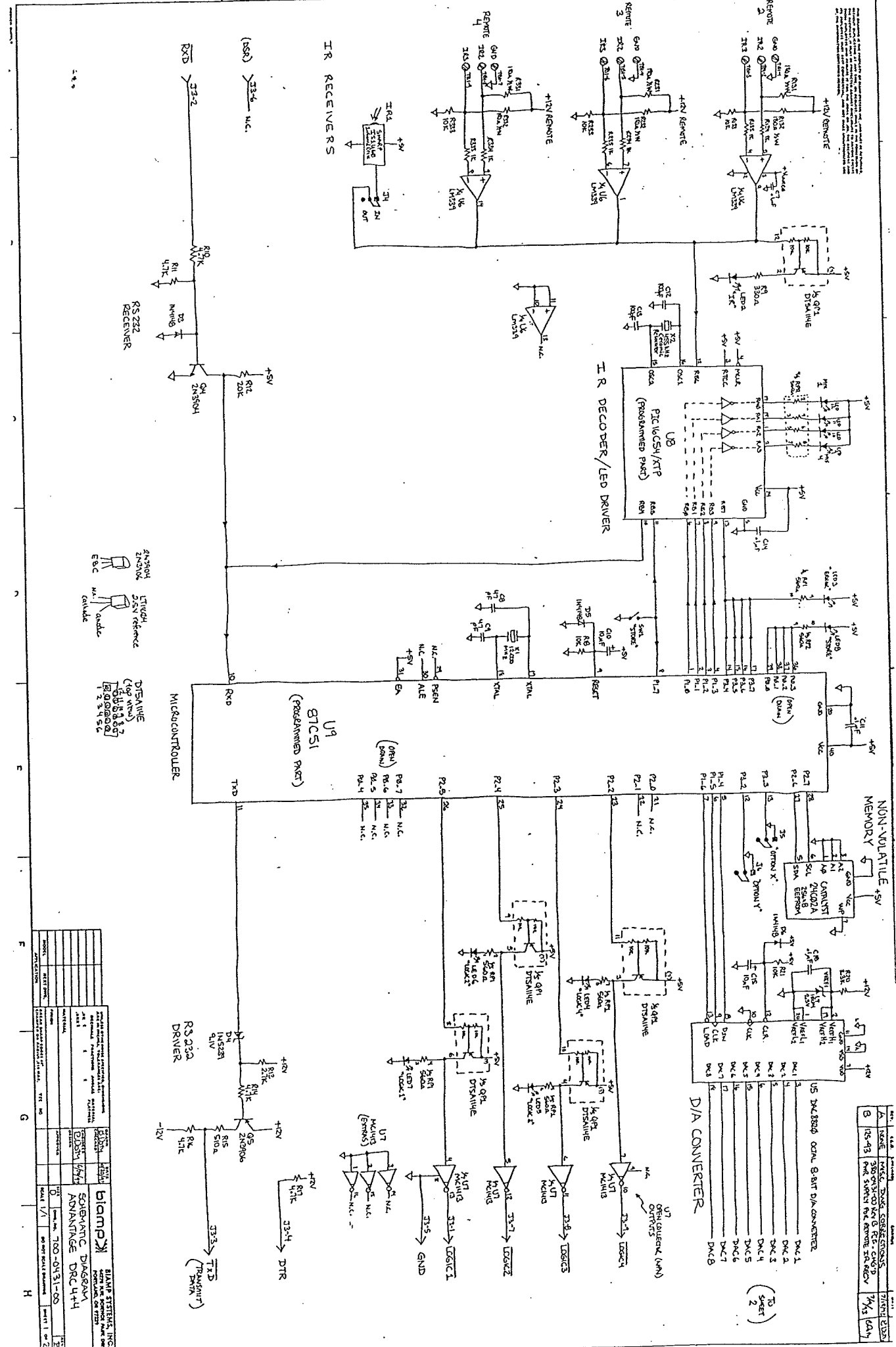
BIAMP SYSTEMS
14270 N.W. Science Park Drive
Portland, Oregon 97229
(503) 641-7287

380-0431-00 REV. B
ADVANTAGE
Sheet 1 of 3 : 6/18/83

RC II Version

BIAMP SYSTEMS, INC. 14270 N.W. Science Park Drive Portland, Oregon 97229		NO. 72033-01-01	REV. B	DATE 12-2-83
COMPONENT LAYOUT ADVANTAGE RC II		DESIGNED BY	CHECKED BY	DATE
SCALE: NONE		NO. 700-0432-00	REV. B	DATE 7-11-83
SHEET 1 OF 3		PARTS LIST		
PART NO.		QTY.	DESCRIPTION	REF. DESIG.
700-0432-00		1	PCB	

THIS DRAWING IS THE PROPERTY OF BLAMP SYSTEMS, INC. IT IS TO BE USED ONLY FOR THE PROJECT AND QUANTITY SPECIFIED. IT IS NOT TO BE REPRODUCED OR TRANSMITTED IN ANY FORM OR BY ANY MEANS, ELECTRONIC OR MECHANICAL, INCLUDING PHOTOCOPYING, RECORDING, OR BY ANY INFORMATION STORAGE AND RETRIEVAL SYSTEM. WITHOUT THE WRITTEN PERMISSION OF BLAMP SYSTEMS, INC.



REV	DATE	DESCRIPTION
1	10/1/00	INITIAL RELEASE
2	10/1/00	REVISIONS

(TO SHEET 2)

