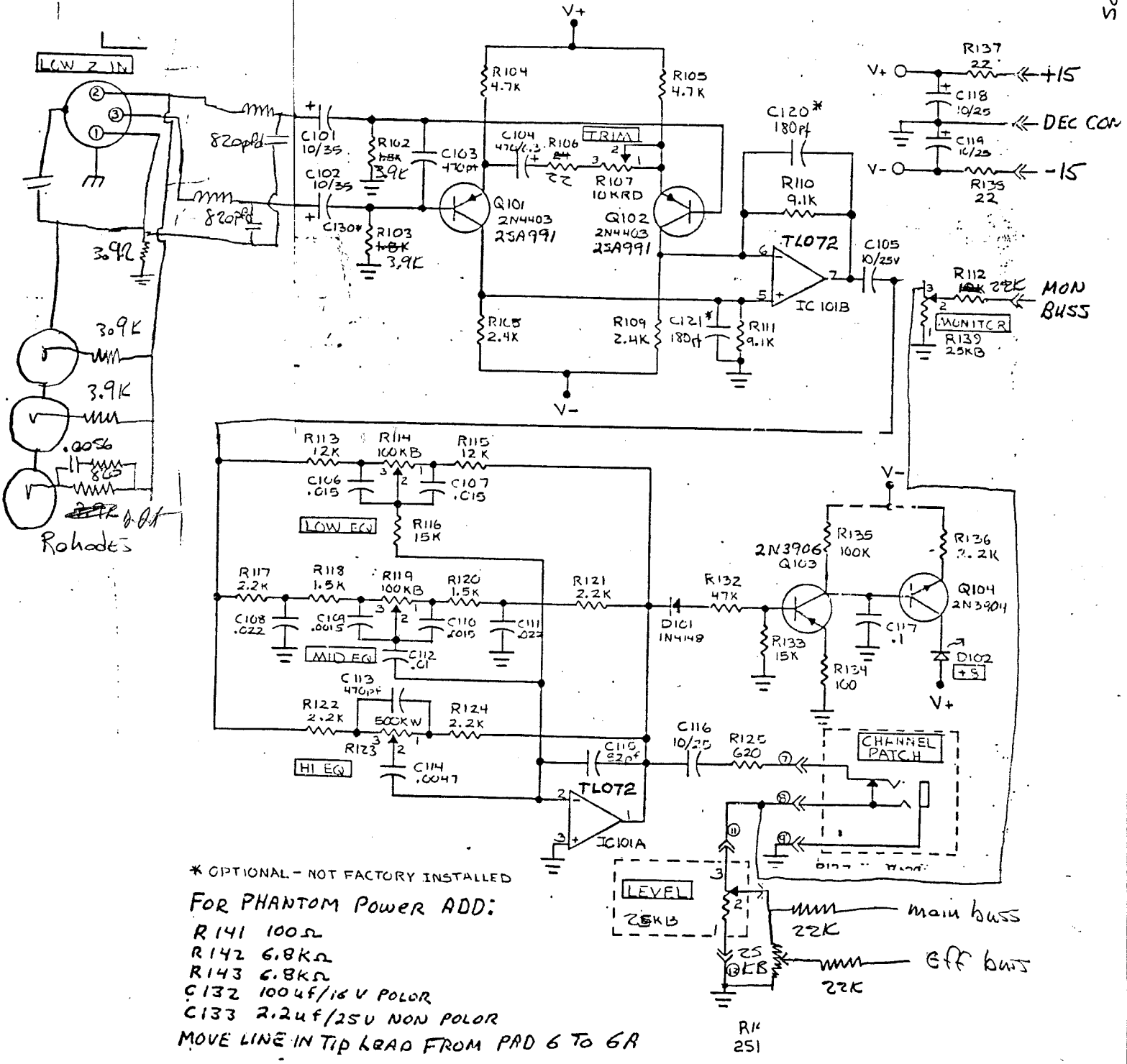


11/22/83

8-1683 INPUT  
SCHEMATIC



\* OPTIONAL - NOT FACTORY INSTALLED  
 FOR PHANTOM POWER ADD:  
 R141 100Ω  
 R142 6.8KΩ  
 R143 6.8KΩ  
 C132 100μF/16V POLAR  
 C133 2.2μF/25V NON POLAR  
 MOVE LINE IN TIP LEAD FROM PAD 6 TO 6A

R112, 129, + 130 WERE 18KΩ  
 IN EARLY UNITS.

IC101  
 BE A1  
 WITH  
 Q103 "

Rohades

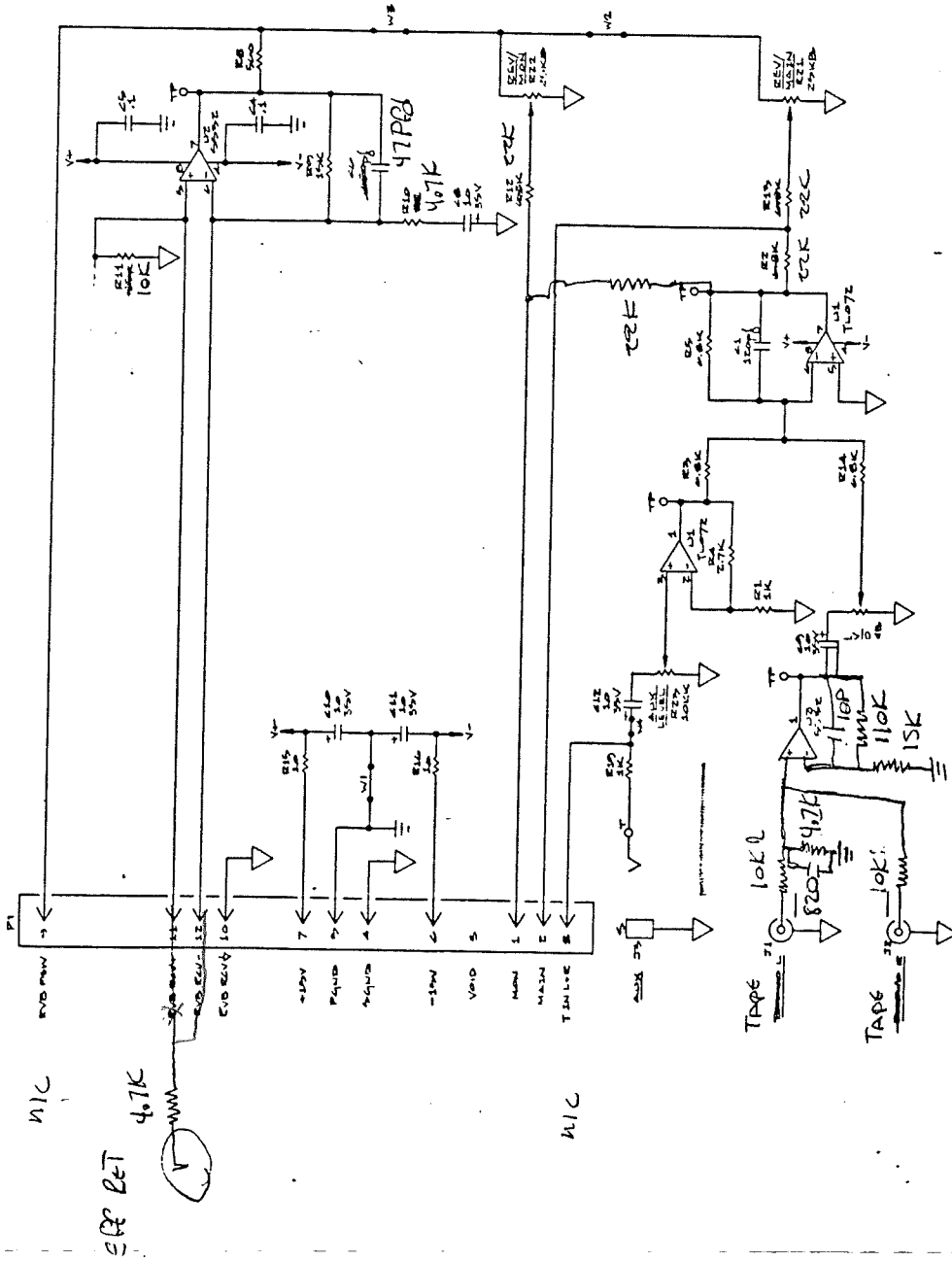
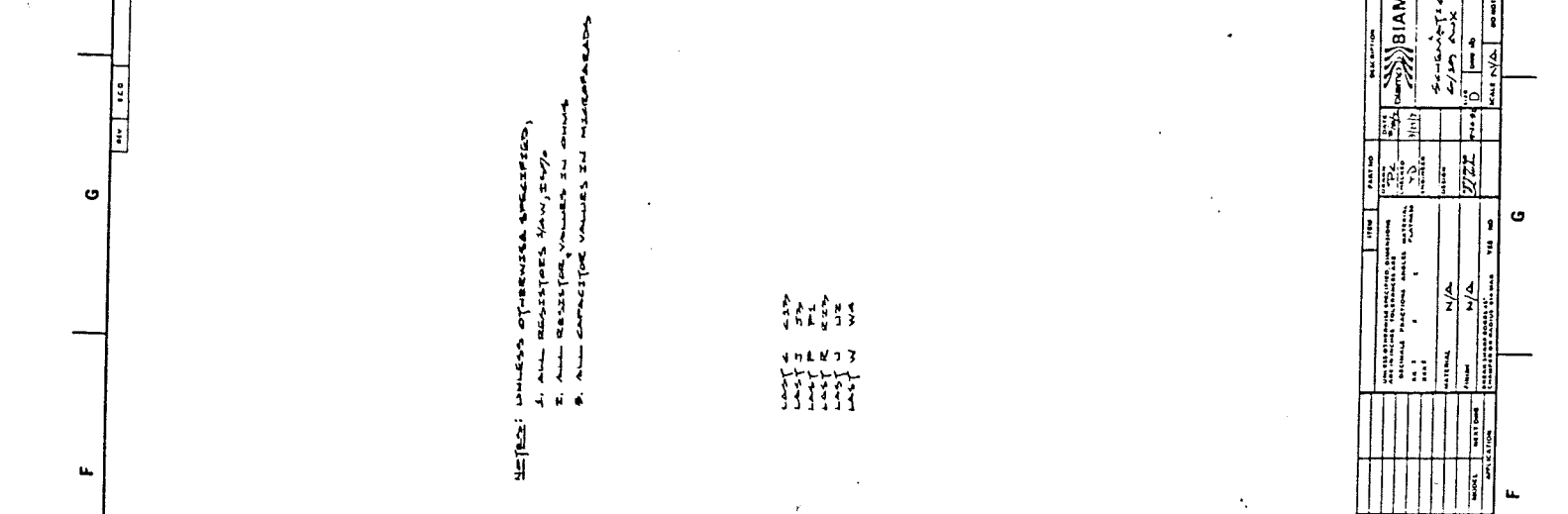
CHANNEL PATCH

LEVEL  
 25KΩ

main buss  
 22K  
 22K  
 22K

MON BUSS

25KΩ

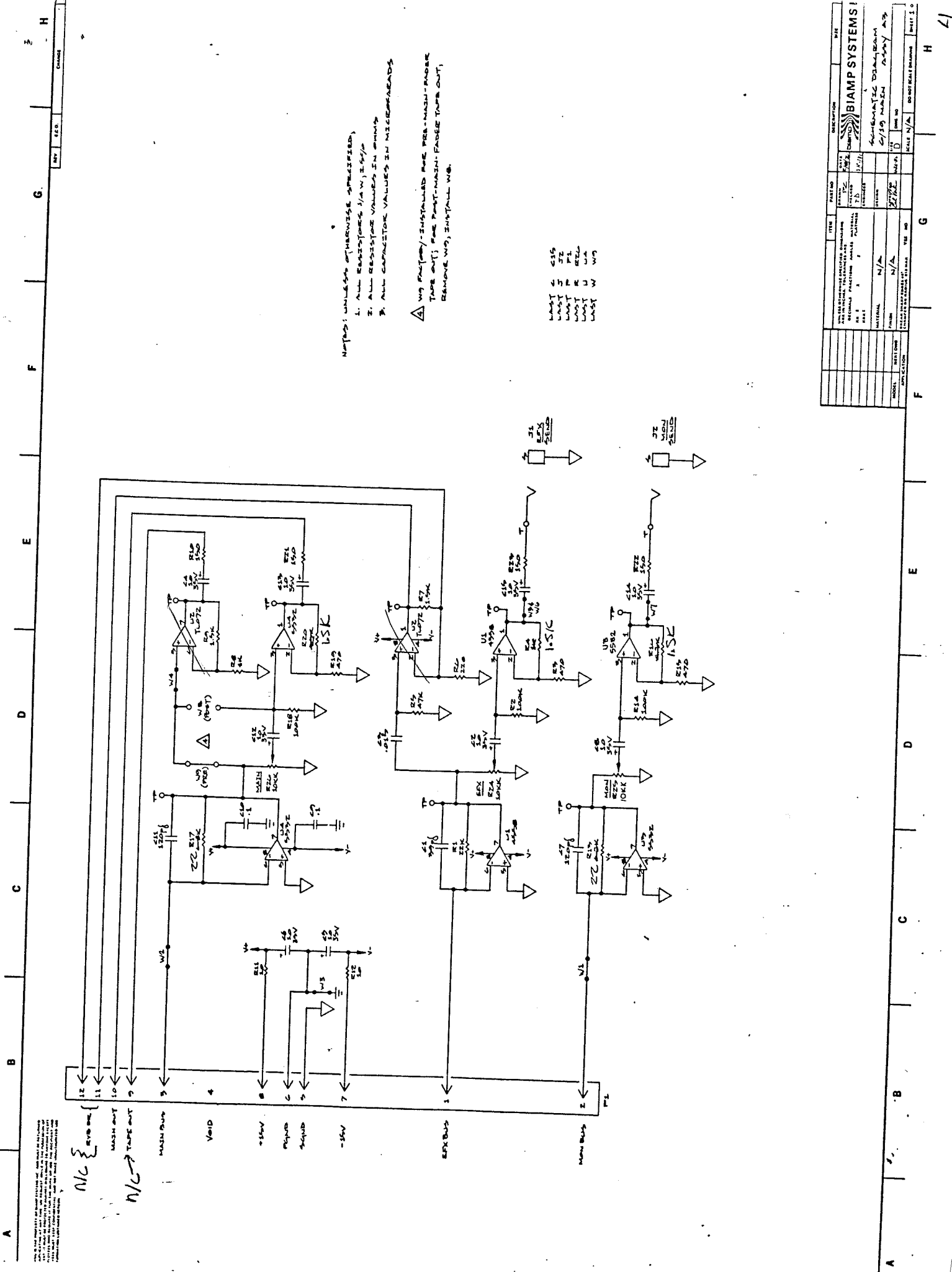


**NOTES:** UNLESS OTHERWISE SPECIFIED,  
 1. ALL RESISTORS 1/4W, 5%  
 2. ALL RESISTOR VALUES IN OHMS  
 3. ALL CAPACITOR VALUES IN MICROFARADS

WAVE 1  
 WAVE 2  
 WAVE 3  
 WAVE 4  
 WAVE 5  
 WAVE 6  
 WAVE 7  
 WAVE 8

MODEL		REVISION		DATE		BY		CHECKED		APPROVED		PROJECT	
BIAMP SYSTEM		01/11/78		01/11/78		J. J. W.		J. J. W.		J. J. W.		BIAMP SYSTEM	
PROJECT		01/11/78		01/11/78		J. J. W.		J. J. W.		J. J. W.		BIAMP SYSTEM	
PART NO.		01/11/78		01/11/78		J. J. W.		J. J. W.		J. J. W.		BIAMP SYSTEM	
REV. NO.		01/11/78		01/11/78		J. J. W.		J. J. W.		J. J. W.		BIAMP SYSTEM	
REV. DATE		01/11/78		01/11/78		J. J. W.		J. J. W.		J. J. W.		BIAMP SYSTEM	
REV. BY		01/11/78		01/11/78		J. J. W.		J. J. W.		J. J. W.		BIAMP SYSTEM	
REV. CHECKED		01/11/78		01/11/78		J. J. W.		J. J. W.		J. J. W.		BIAMP SYSTEM	
REV. APPROVED		01/11/78		01/11/78		J. J. W.		J. J. W.		J. J. W.		BIAMP SYSTEM	

1. THIS DRAWING IS THE PROPERTY OF THE COMPANY AND IS TO BE KEPT IN STRICTLY CONFIDENTIAL. IT IS TO BE USED ONLY FOR THE PROJECT AND IS NOT TO BE REPRODUCED OR COPIED IN ANY MANNER WITHOUT THE WRITTEN PERMISSION OF THE COMPANY.



N/C {  
 MASH OUT  
 TAPE OUT  
 MAIN BUS  
 VOID  
 +56V  
 MASH  
 TAPE  
 -56V  
 EXP BUS  
 MAIN BUS

NOTES: UNLESS OTHERWISE SPECIFIED,  
 1. ALL RESISTORS 1/4 W, 1%  
 2. ALL CAPACITORS 50V IN SERIES  
 3. ALL CAPACITOR VALUES IN MICROSECONDS  
 4. W9 PARTS/INSTALLED PER PER-MAIN-PADDER TAPE OUT; PER-MAIN-PADDER TAPE OUT, REMOVE W9; INSTALL W8.

- W8Y C
- W8X F
- W8Z U
- W9Y R
- W9Z U
- W9A U
- W9B W
- W9C W

REV	DATE	CHANGE
1		

DESCRIPTION	BIAMP SYSTEMS I
DATE	1/10/78
BY	SCHEMATIC DESIGNER
CHECKED BY	C/SIG MAIN
APP'D BY	ASBY AS
SCALE	N/A
DRWING NO.	0
REV NO.	0
REV 1	
REV 2	
REV 3	
REV 4	
REV 5	
REV 6	
REV 7	
REV 8	
REV 9	
REV 10	