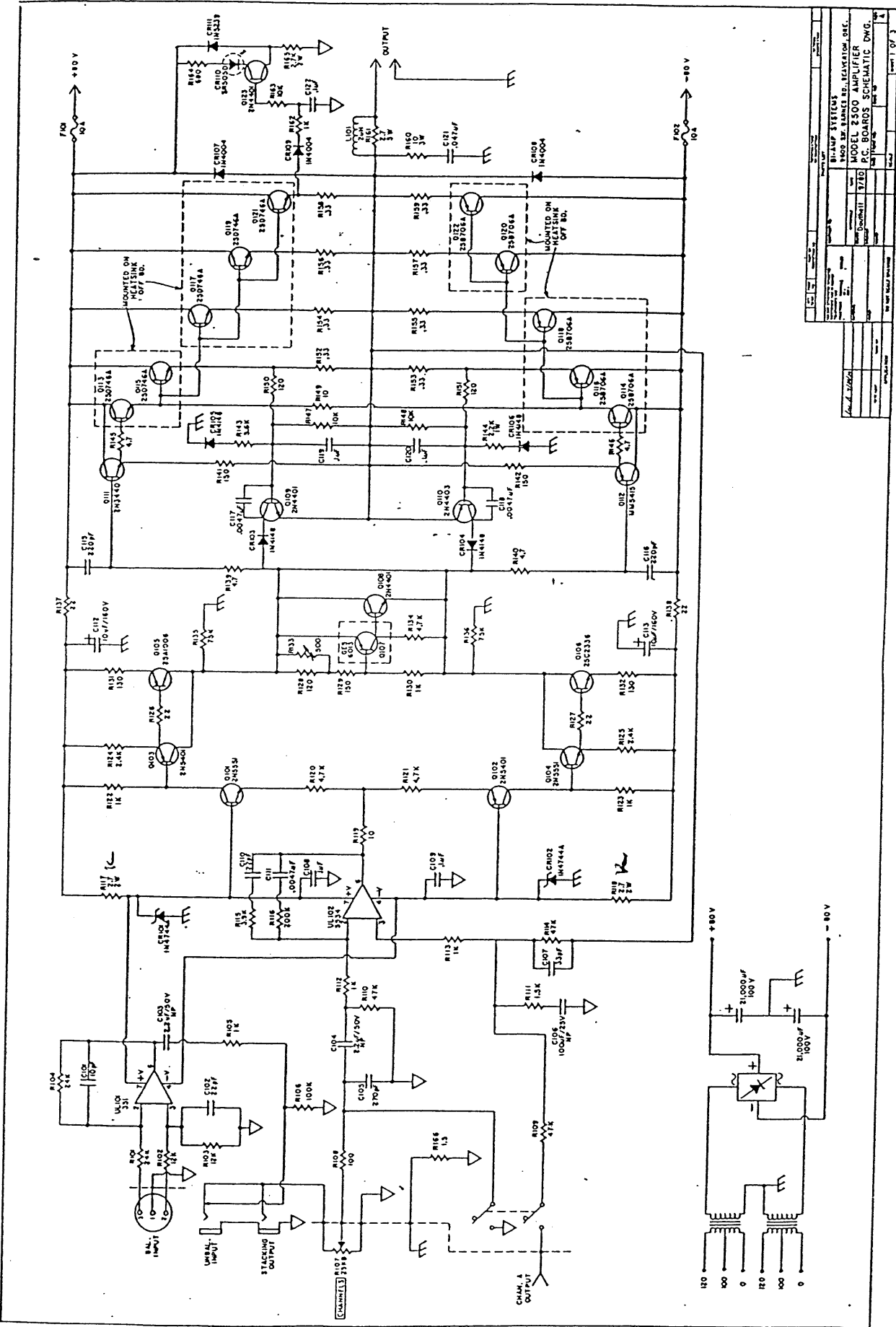


B I A M P

10074 SW Arctic Dr.
Beaverton, OR 97005

Tel: 503-641-7287
Fax: 503-626-0281

2500 Schematic



REV. NO.		DATE		BY	
1					
2					
3					
4					
5					
6					
7					
8					
9					
10					

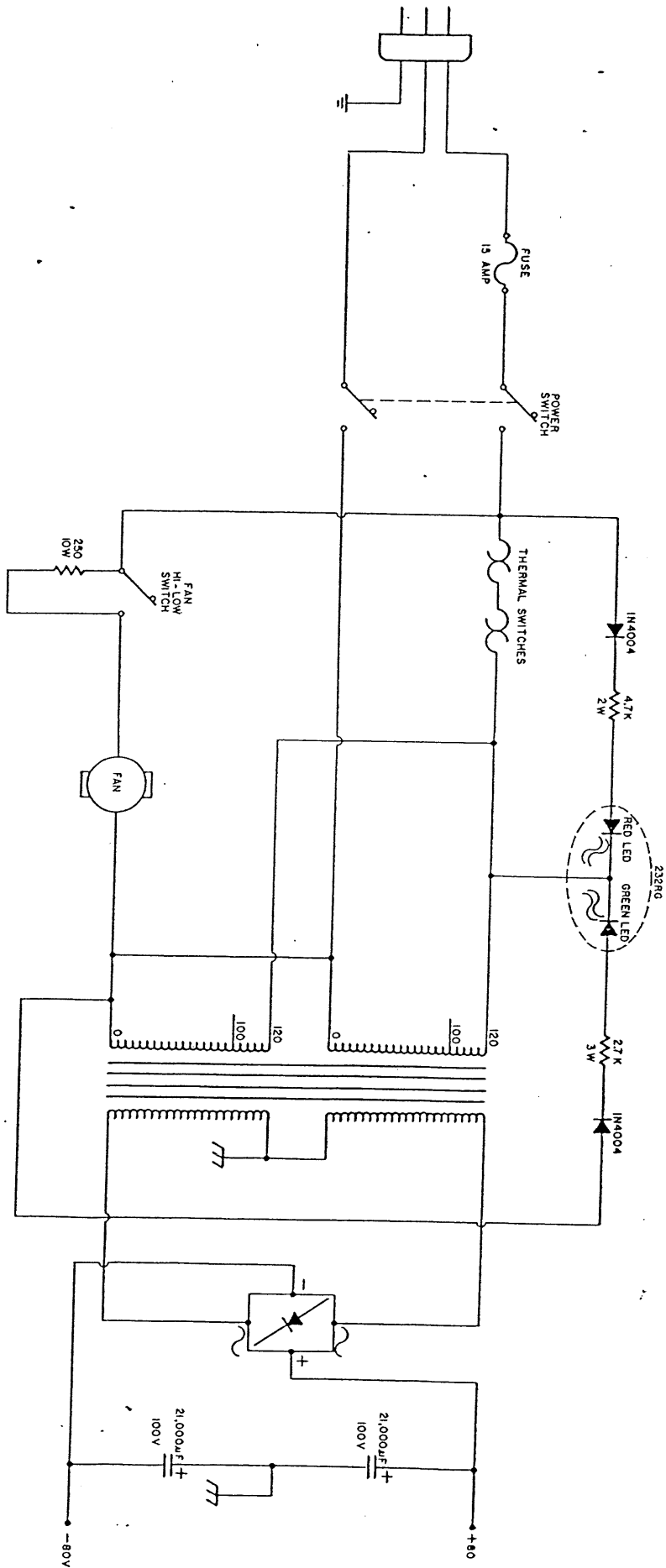
DATE	BY	APP'D	CHK'D

PROJECT	NO.	REV.

DATE	BY	APP'D	CHK'D

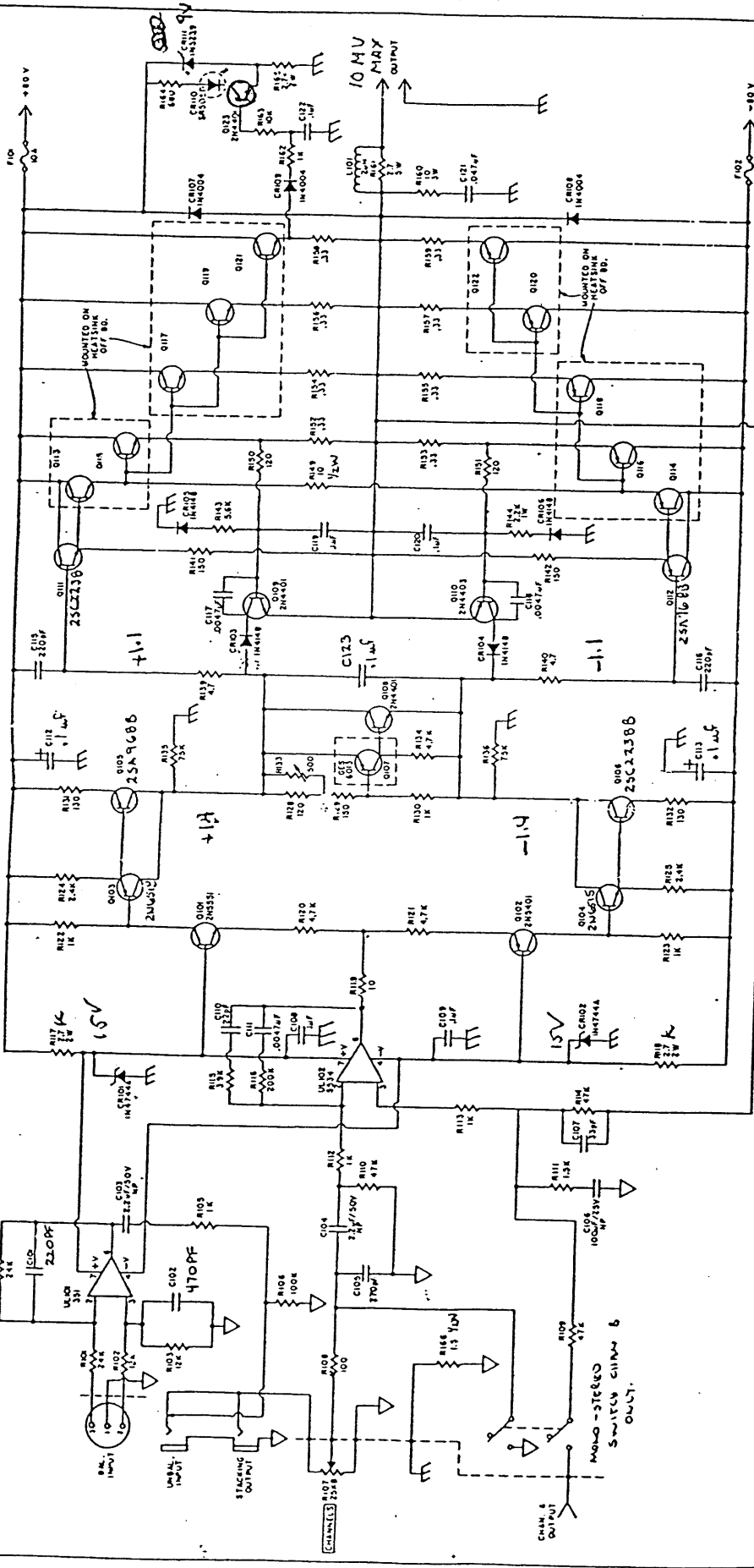
RIAMP SYSTEMS
 1100 W. ALABAMA, HOUSTON, TEX.
 MODEL 2500 AMPLIFIER
 P.C. BOARD SCHEMATIC DWG.

SHEET 1 OF 1



MODEL 2500 AMPLIFIER POWER SUPPLY SCHEMATIC DWG.		DATE 9/7/80	DRAWN BY DOWNEILL	CHECKED BY []
BI-AMP SYSTEMS 9600 S.W. BARNES RD., BEAVERTON, ORE.		PROJECT NO. []	SHEET NO. 3 OF 3	SCALE A
APPROVED BY []		DATE []	TITLE []	[]

Q113 = 25C2266
 Q115-Q117-Q119-Q121 = 25C2274

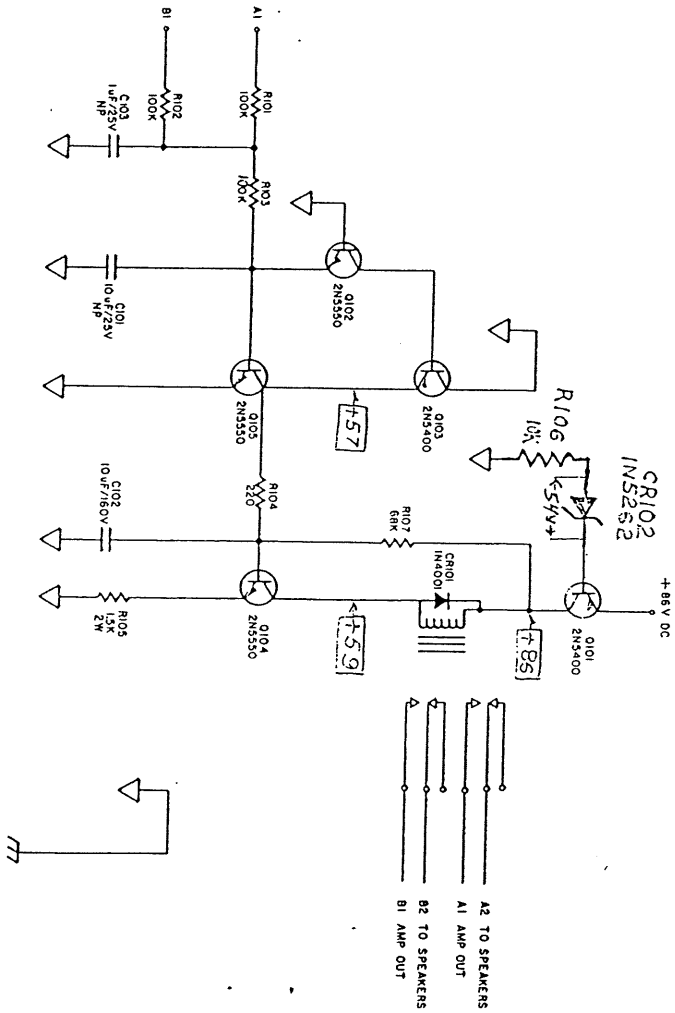


Q114 = 25N1095 25C2274
 Q116-Q118-Q120-Q122 = 25N1170

SET BINS FOR 47.6 A10

REVISION	5-31-81	3P
DESIGNER		
CHECKED		
DATE		
MICAMP SYSTEMS 3400 136 AVENUE, WESTPORT, ME. MODEL 2500 AMPLIFIER PC BOARD SCHEMATIC DWG.		

PART #	TC/60	TC/120
CR102	1W50V 20V	27V 1W25V
R107	33K	47K
R105	390	820



REV	DATE	DESCRIPTION
1	10/1/60	INITIAL DESIGN
2	10/1/60	REVISED TO MATCH BOARD
3	10/1/60	REVISED TO MATCH BOARD

DESIGNED BY	DATE	APPROVED BY
DRWING	DATE	DATE
CHECKED BY	DATE	DATE
TESTED BY	DATE	DATE
ASSEMBLED BY	DATE	DATE

PROJECT NO.	DATE	REV
100-100000	10/1/60	2 OF 3

BIRD SYSTEMS
 3700 W. BARKS RD., BEAVERTON, ORE.
 MODEL 2300 AMPLIFIER
 PROTECTION CIRCUIT BOARD



Q111



Q112



Q109

Q110



CR107



CR108



Q108



Q107
UNDERNATH



Q105



Q106



Q103

Q104



Q101



Q102



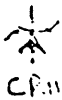
UL101



UL102



CR109



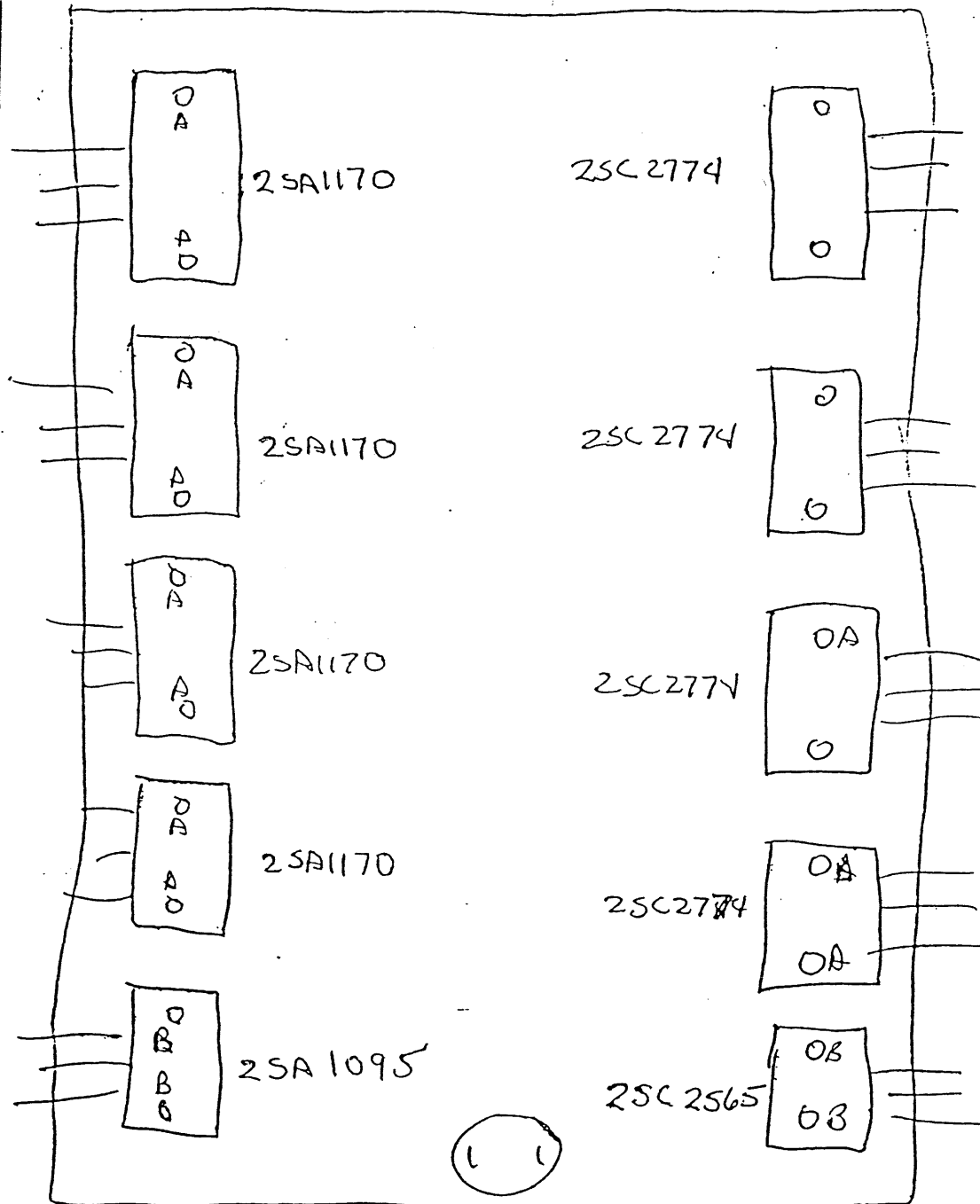
CR110



Q123



TRANSISTOR LAYOUT 2500 B
FOR BOTH CHANNELS



A = 525-0002-00
4/40 x 7/16 MS

B = 525-0045-00
4/40 x 3/8 MS

THERMAL
CUT OUT
SWITCH.