

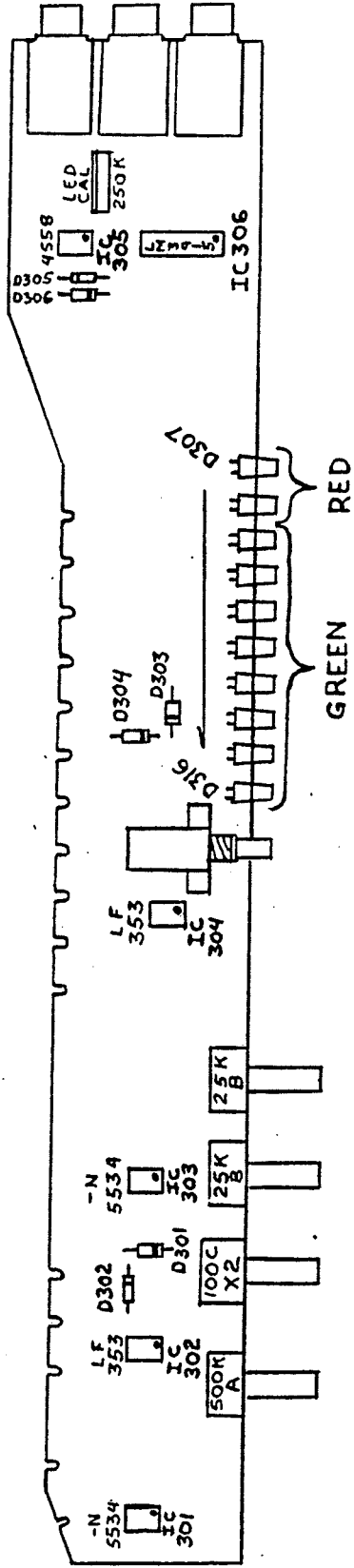
21 Series

Schematic

B I A M P[®]

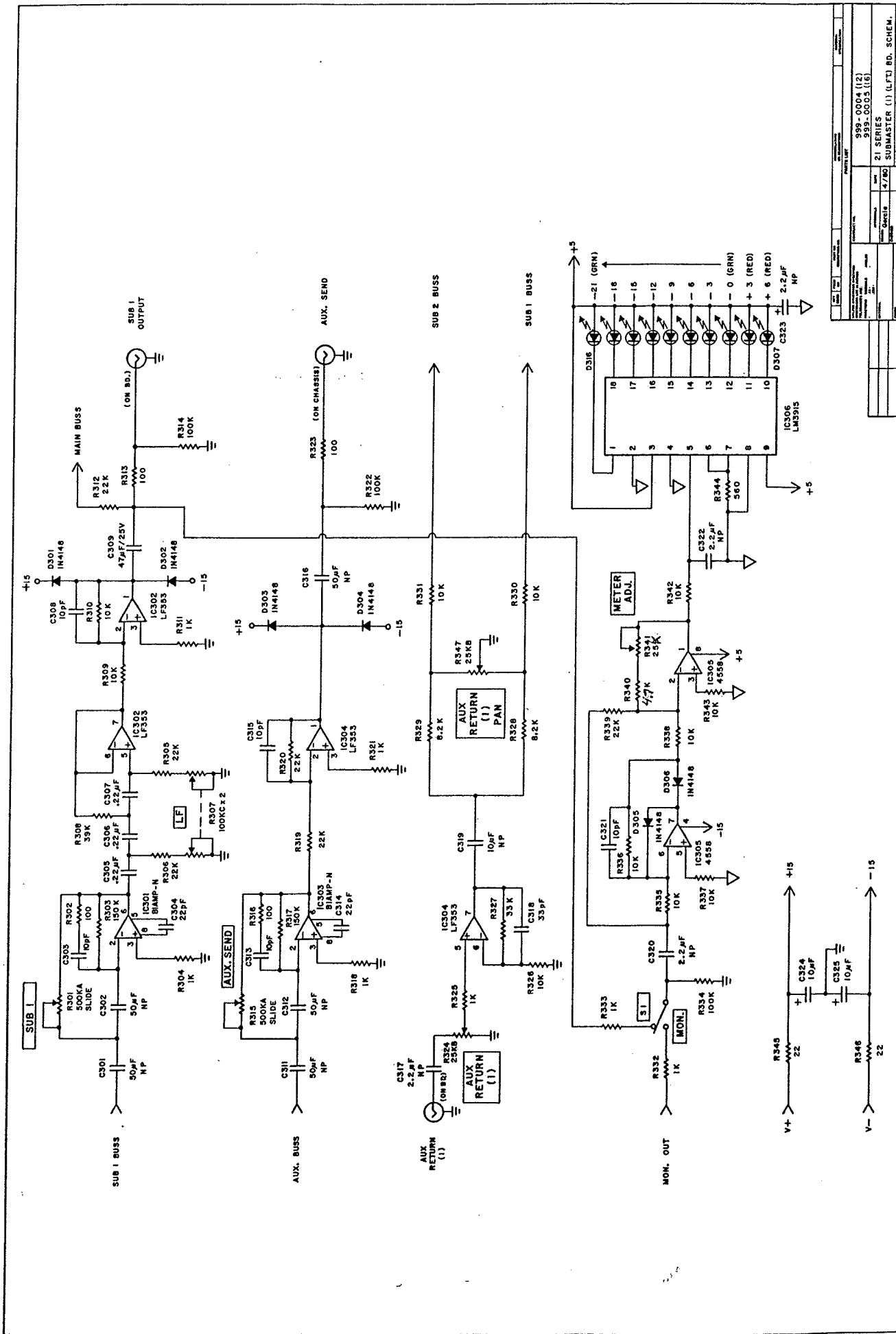
S Y S T E M S

10074 SW Arctic Drive Beaverton, OR 97005 503-641-7287

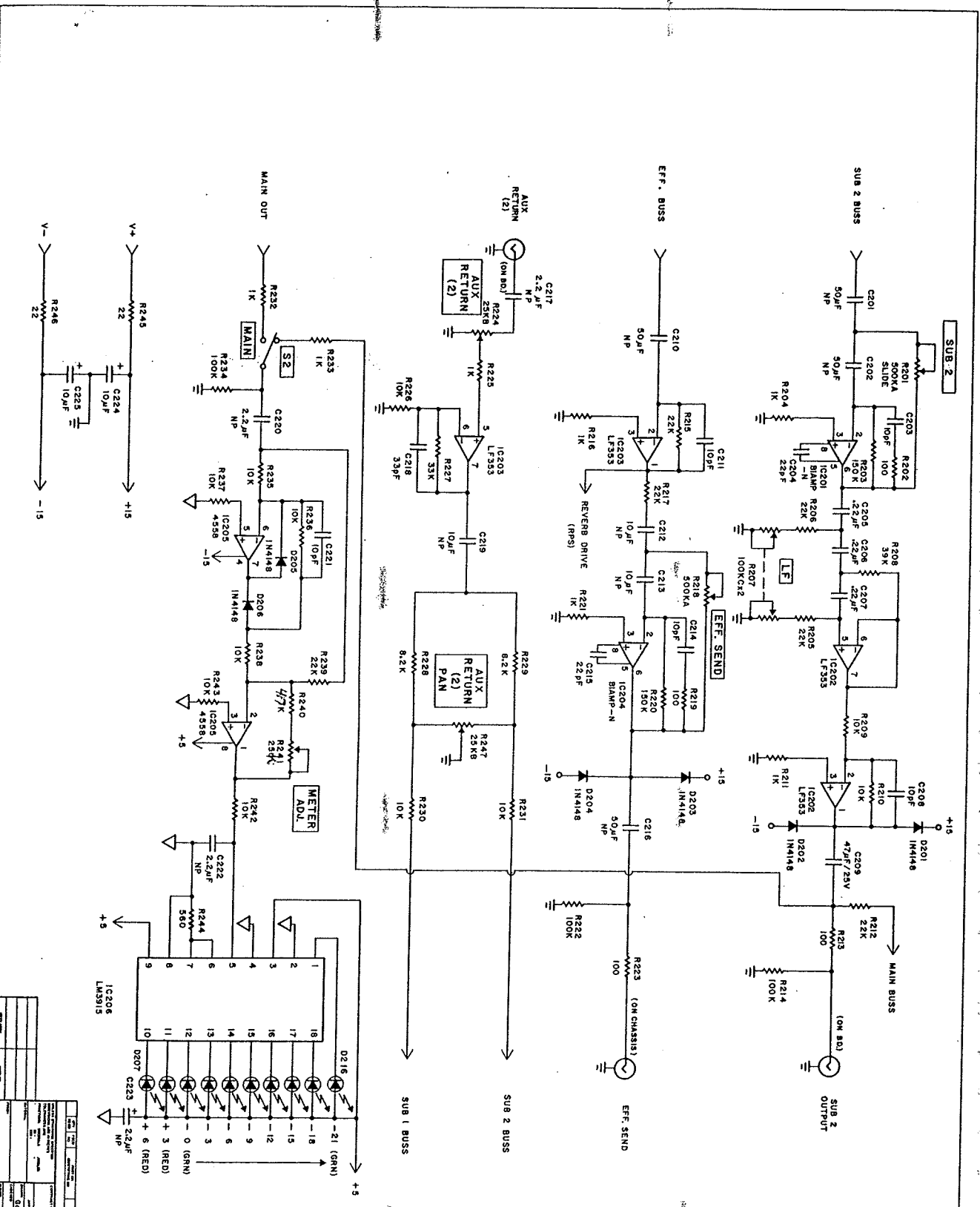


12-1621 SUBMASTER #1
 COMPONENT SIDE

DRAWN BY T.H.
 7-9-80

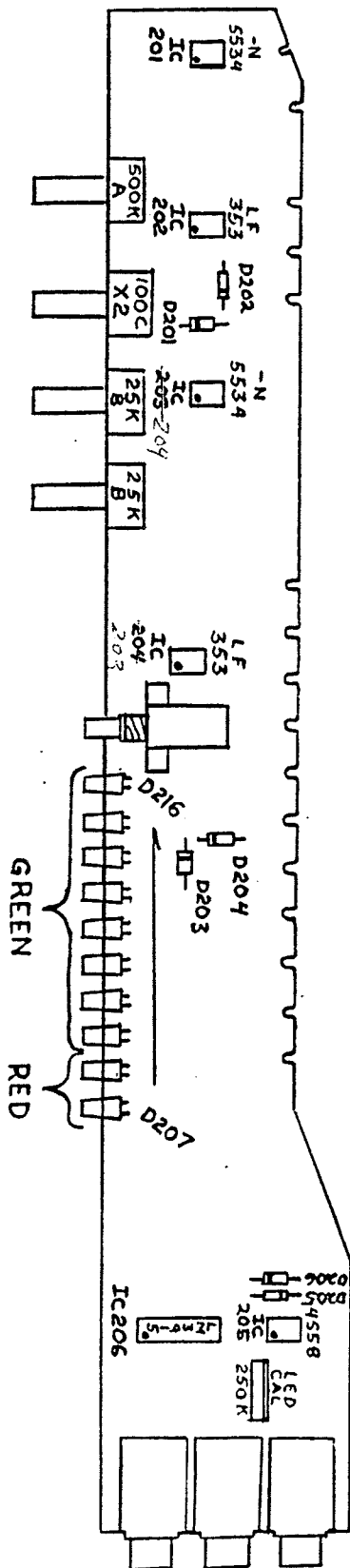


| | |
|---------------|--------------------------------|
| 999-0004 (12) | 21 SERIES |
| 999-0003 (16) | SUBMASTER (1) (LFT) BD. SCHEM. |
| 4/7/60 | |
| 4/7/60 | |

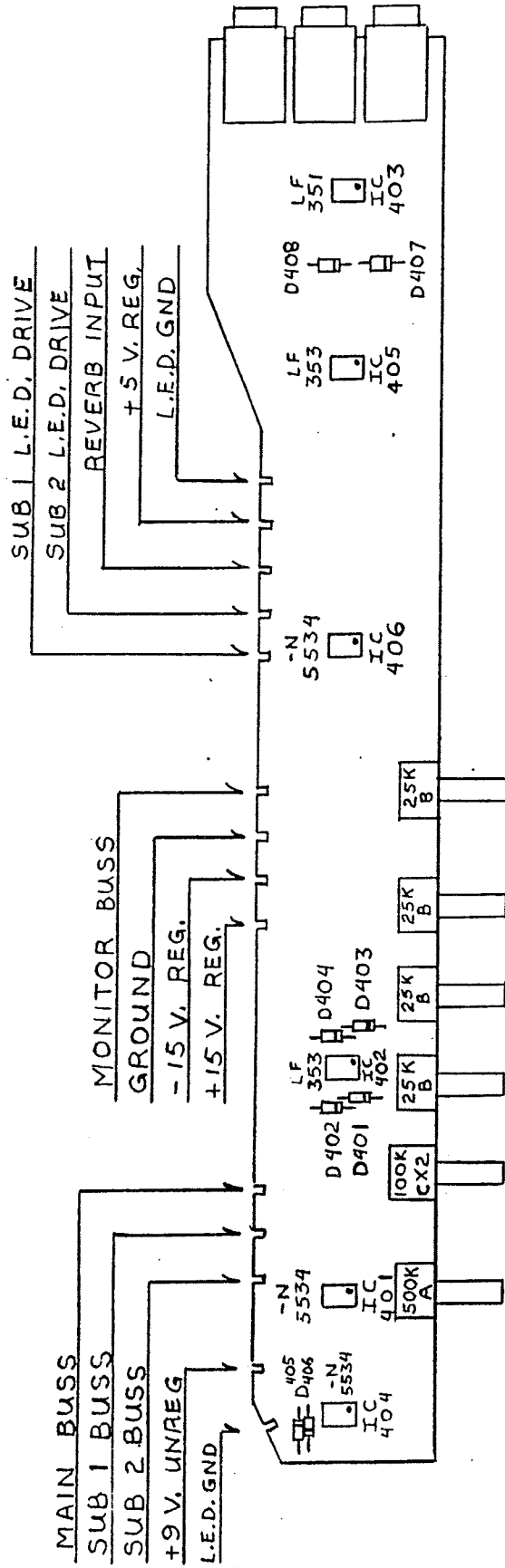


| REV. | DATE | DESCRIPTION |
|------|------|-------------|
| 1 | | |
| 2 | | |
| 3 | | |
| 4 | | |
| 5 | | |
| 6 | | |
| 7 | | |
| 8 | | |
| 9 | | |
| 10 | | |
| 11 | | |
| 12 | | |
| 13 | | |
| 14 | | |
| 15 | | |
| 16 | | |
| 17 | | |
| 18 | | |
| 19 | | |
| 20 | | |
| 21 | | |
| 22 | | |
| 23 | | |
| 24 | | |
| 25 | | |
| 26 | | |
| 27 | | |
| 28 | | |
| 29 | | |
| 30 | | |
| 31 | | |
| 32 | | |
| 33 | | |
| 34 | | |
| 35 | | |
| 36 | | |
| 37 | | |
| 38 | | |
| 39 | | |
| 40 | | |
| 41 | | |
| 42 | | |
| 43 | | |
| 44 | | |
| 45 | | |
| 46 | | |
| 47 | | |
| 48 | | |
| 49 | | |
| 50 | | |

999-0004 (12)
 399-0003 (16)
 21 SERVICES
 SUBMASTER (2) (RMT) 80. SCHEM.
 0
 2 OF 5

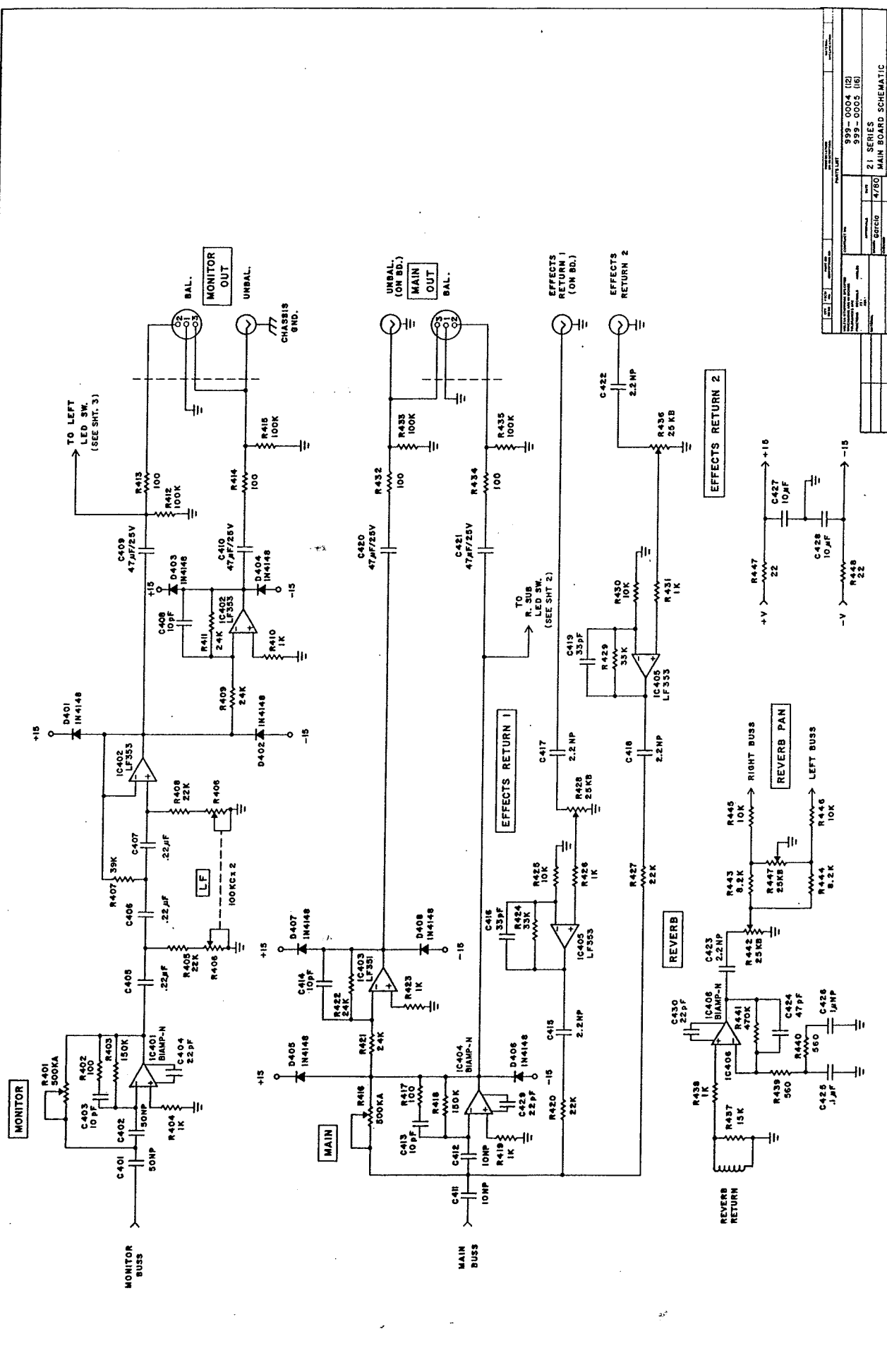


12-1621 SUBMASTER # 2
 COMPONENT SIDE
 DRAWN BY T. H.
 7-9-80



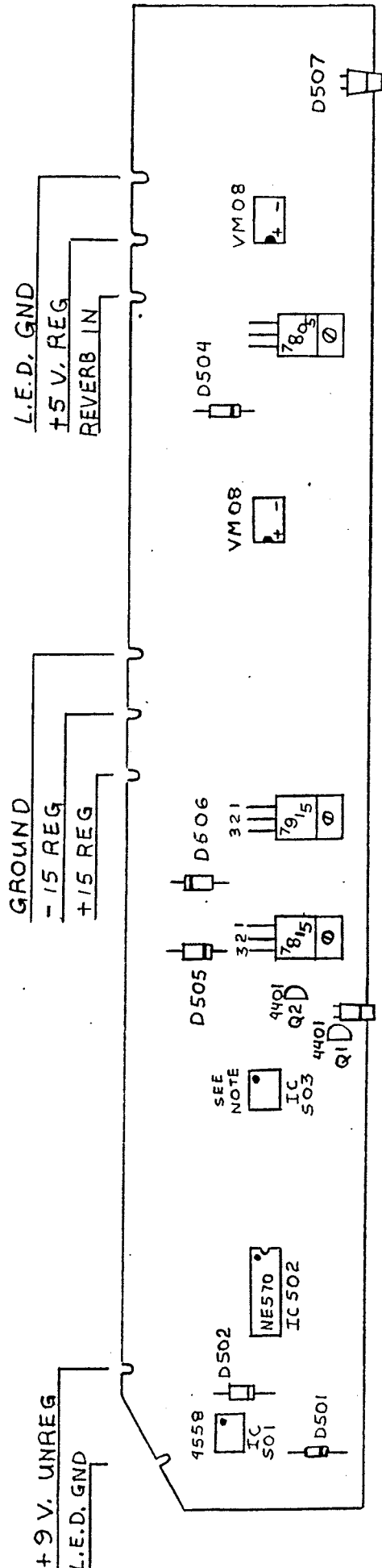
12-1621 MAIN BOARD
 COMPONENT SIDE

DRAWN BY T.H.
 7-9-80



| | | | | |
|-----|------|----|------|-------|
| REV | DATE | BY | CHKD | APP'D |
| 1 | | | | |
| 2 | | | | |
| 3 | | | | |
| 4 | | | | |
| 5 | | | | |
| 6 | | | | |
| 7 | | | | |
| 8 | | | | |
| 9 | | | | |
| 10 | | | | |
| 11 | | | | |
| 12 | | | | |
| 13 | | | | |
| 14 | | | | |
| 15 | | | | |
| 16 | | | | |
| 17 | | | | |
| 18 | | | | |
| 19 | | | | |
| 20 | | | | |
| 21 | | | | |
| 22 | | | | |
| 23 | | | | |
| 24 | | | | |
| 25 | | | | |
| 26 | | | | |
| 27 | | | | |
| 28 | | | | |
| 29 | | | | |
| 30 | | | | |
| 31 | | | | |
| 32 | | | | |
| 33 | | | | |
| 34 | | | | |
| 35 | | | | |
| 36 | | | | |
| 37 | | | | |
| 38 | | | | |
| 39 | | | | |
| 40 | | | | |
| 41 | | | | |
| 42 | | | | |
| 43 | | | | |
| 44 | | | | |
| 45 | | | | |
| 46 | | | | |
| 47 | | | | |
| 48 | | | | |
| 49 | | | | |
| 50 | | | | |
| 51 | | | | |
| 52 | | | | |
| 53 | | | | |
| 54 | | | | |
| 55 | | | | |
| 56 | | | | |
| 57 | | | | |
| 58 | | | | |
| 59 | | | | |
| 60 | | | | |
| 61 | | | | |
| 62 | | | | |
| 63 | | | | |
| 64 | | | | |
| 65 | | | | |
| 66 | | | | |
| 67 | | | | |
| 68 | | | | |
| 69 | | | | |
| 70 | | | | |
| 71 | | | | |
| 72 | | | | |
| 73 | | | | |
| 74 | | | | |
| 75 | | | | |
| 76 | | | | |
| 77 | | | | |
| 78 | | | | |
| 79 | | | | |
| 80 | | | | |
| 81 | | | | |
| 82 | | | | |
| 83 | | | | |
| 84 | | | | |
| 85 | | | | |
| 86 | | | | |
| 87 | | | | |
| 88 | | | | |
| 89 | | | | |
| 90 | | | | |
| 91 | | | | |
| 92 | | | | |
| 93 | | | | |
| 94 | | | | |
| 95 | | | | |
| 96 | | | | |
| 97 | | | | |
| 98 | | | | |
| 99 | | | | |
| 100 | | | | |

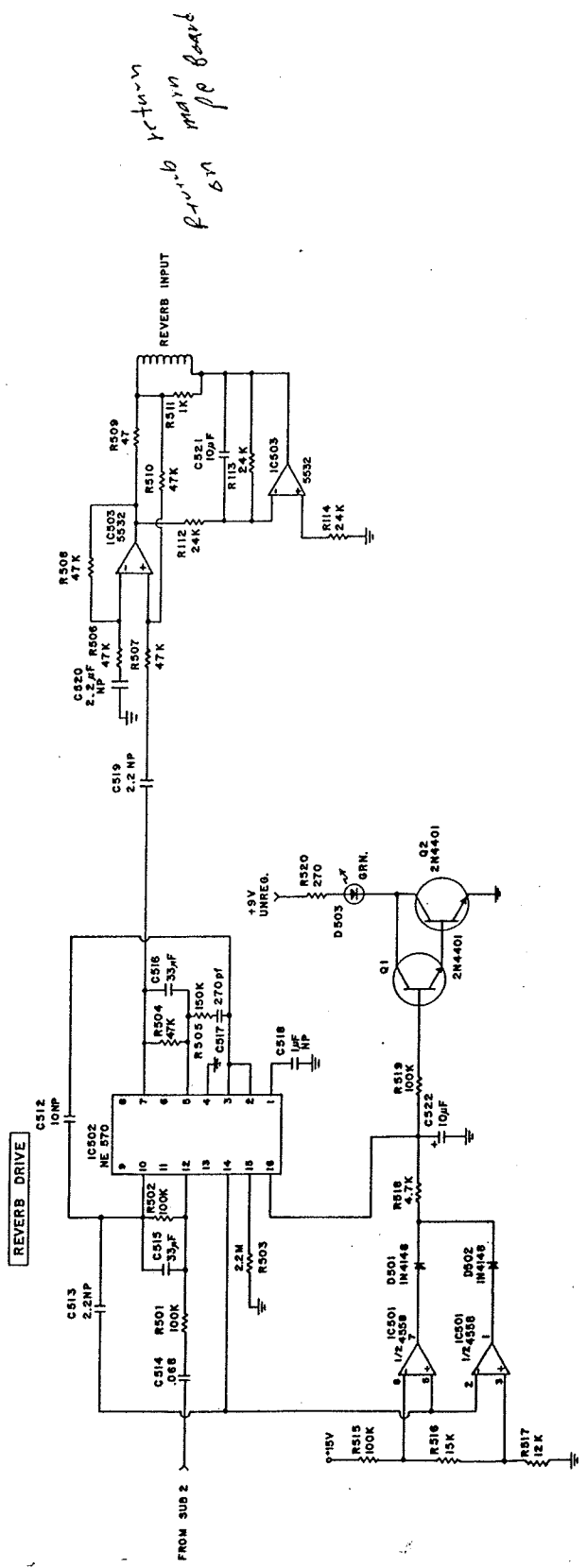
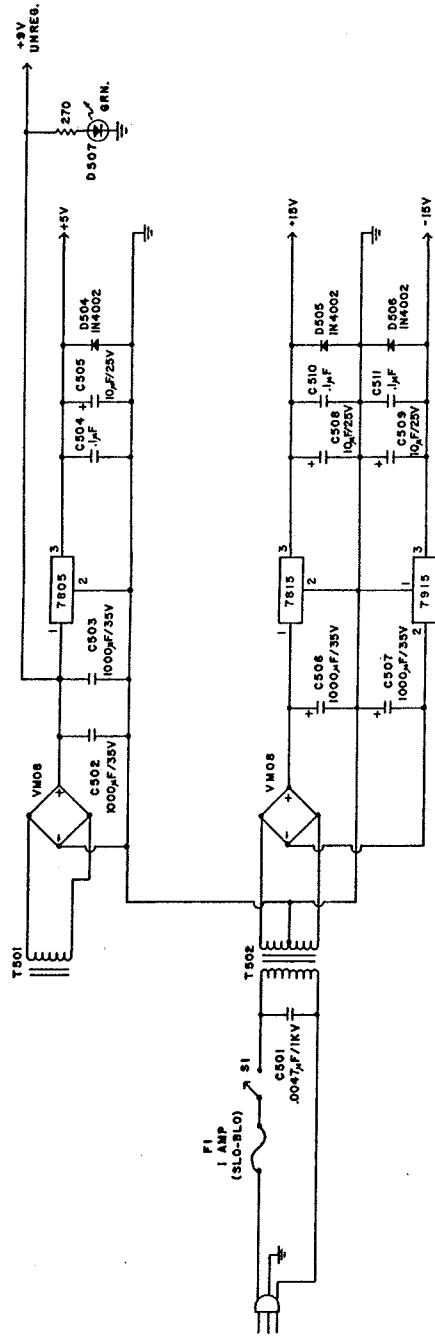
999-0004 (2)
 999-0005 (6)
 21 SERIES
 4750 MAIN BOARD SCHEMATIC
 PARTS LIST



NOTE: GRN
 IC503 - REV A - 4558
 REV B - 5532

12-1621 POWER SUPPLY
 COMPONENT SIDE

DRAWN BY T.H.
 7-9-80



return
from main
pc board

| | | | | | |
|-----|----|------|---------|----|----|
| REV | 1 | DATE | 10/1/78 | BY | WJ |
| REV | 2 | DATE | 10/1/78 | BY | WJ |
| REV | 3 | DATE | 10/1/78 | BY | WJ |
| REV | 4 | DATE | 10/1/78 | BY | WJ |
| REV | 5 | DATE | 10/1/78 | BY | WJ |
| REV | 6 | DATE | 10/1/78 | BY | WJ |
| REV | 7 | DATE | 10/1/78 | BY | WJ |
| REV | 8 | DATE | 10/1/78 | BY | WJ |
| REV | 9 | DATE | 10/1/78 | BY | WJ |
| REV | 10 | DATE | 10/1/78 | BY | WJ |
| REV | 11 | DATE | 10/1/78 | BY | WJ |
| REV | 12 | DATE | 10/1/78 | BY | WJ |
| REV | 13 | DATE | 10/1/78 | BY | WJ |
| REV | 14 | DATE | 10/1/78 | BY | WJ |
| REV | 15 | DATE | 10/1/78 | BY | WJ |
| REV | 16 | DATE | 10/1/78 | BY | WJ |
| REV | 17 | DATE | 10/1/78 | BY | WJ |
| REV | 18 | DATE | 10/1/78 | BY | WJ |
| REV | 19 | DATE | 10/1/78 | BY | WJ |
| REV | 20 | DATE | 10/1/78 | BY | WJ |

| | | | | | |
|-----|----|------|---------|----|----|
| REV | 1 | DATE | 10/1/78 | BY | WJ |
| REV | 2 | DATE | 10/1/78 | BY | WJ |
| REV | 3 | DATE | 10/1/78 | BY | WJ |
| REV | 4 | DATE | 10/1/78 | BY | WJ |
| REV | 5 | DATE | 10/1/78 | BY | WJ |
| REV | 6 | DATE | 10/1/78 | BY | WJ |
| REV | 7 | DATE | 10/1/78 | BY | WJ |
| REV | 8 | DATE | 10/1/78 | BY | WJ |
| REV | 9 | DATE | 10/1/78 | BY | WJ |
| REV | 10 | DATE | 10/1/78 | BY | WJ |
| REV | 11 | DATE | 10/1/78 | BY | WJ |
| REV | 12 | DATE | 10/1/78 | BY | WJ |
| REV | 13 | DATE | 10/1/78 | BY | WJ |
| REV | 14 | DATE | 10/1/78 | BY | WJ |
| REV | 15 | DATE | 10/1/78 | BY | WJ |
| REV | 16 | DATE | 10/1/78 | BY | WJ |
| REV | 17 | DATE | 10/1/78 | BY | WJ |
| REV | 18 | DATE | 10/1/78 | BY | WJ |
| REV | 19 | DATE | 10/1/78 | BY | WJ |
| REV | 20 | DATE | 10/1/78 | BY | WJ |

999-0004 (2)
999-0003 (6)
21 SERIES POWER SUPPLY BD.
SCHEMATIC DRAWING