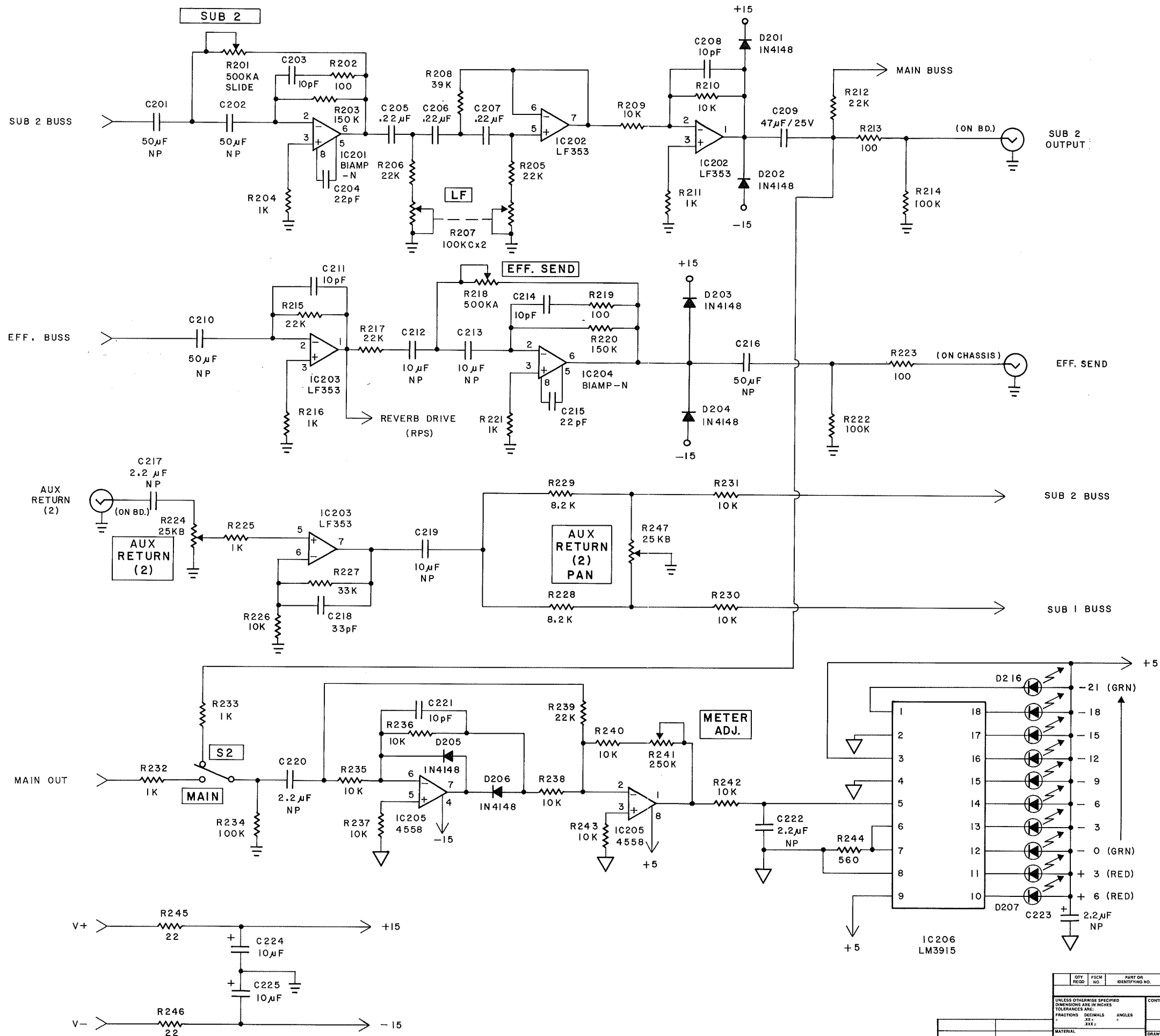
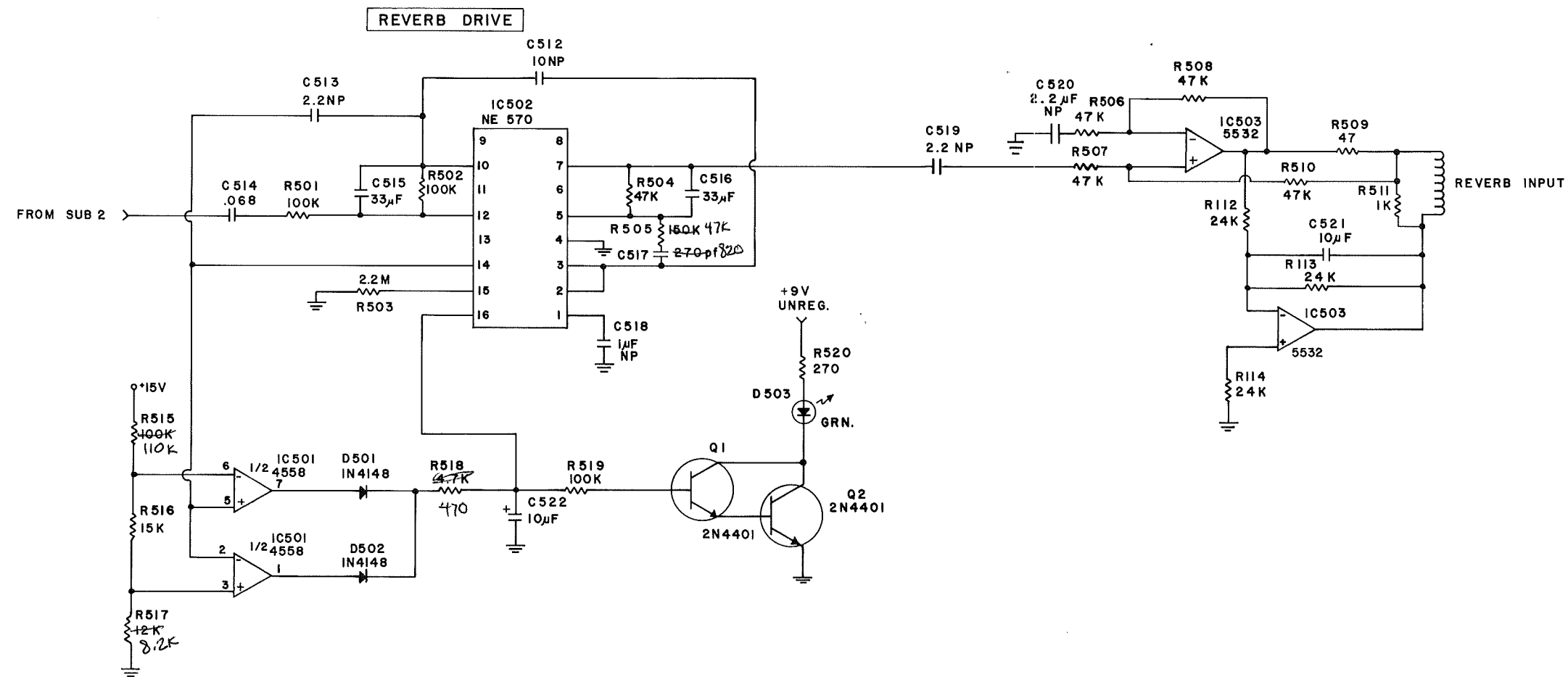
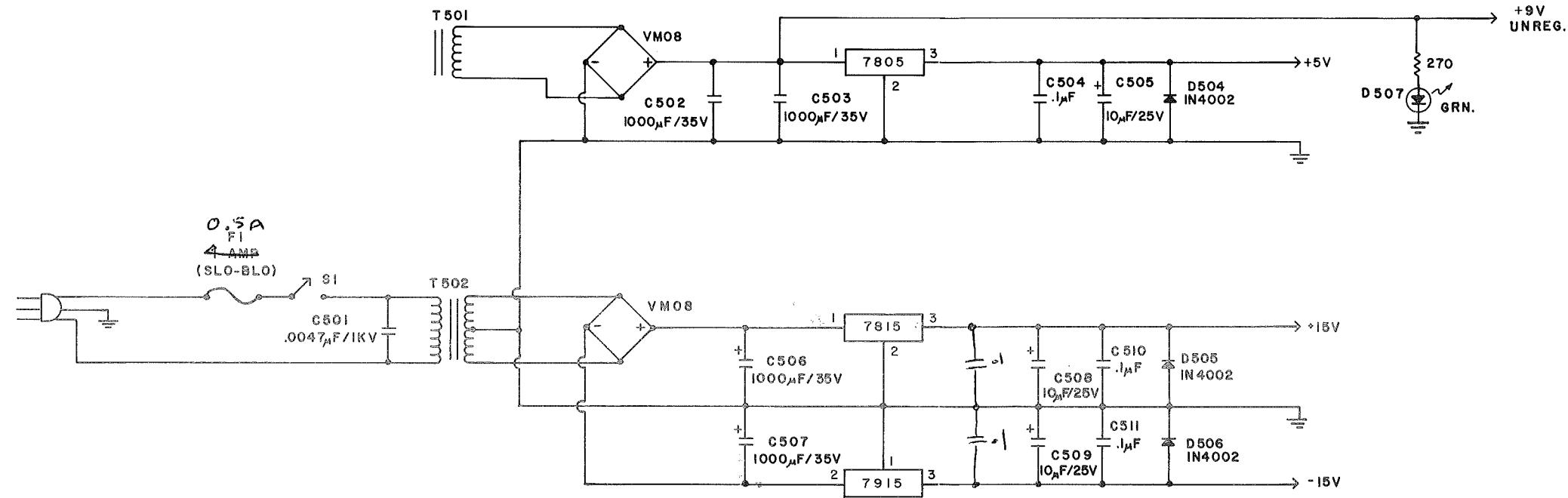


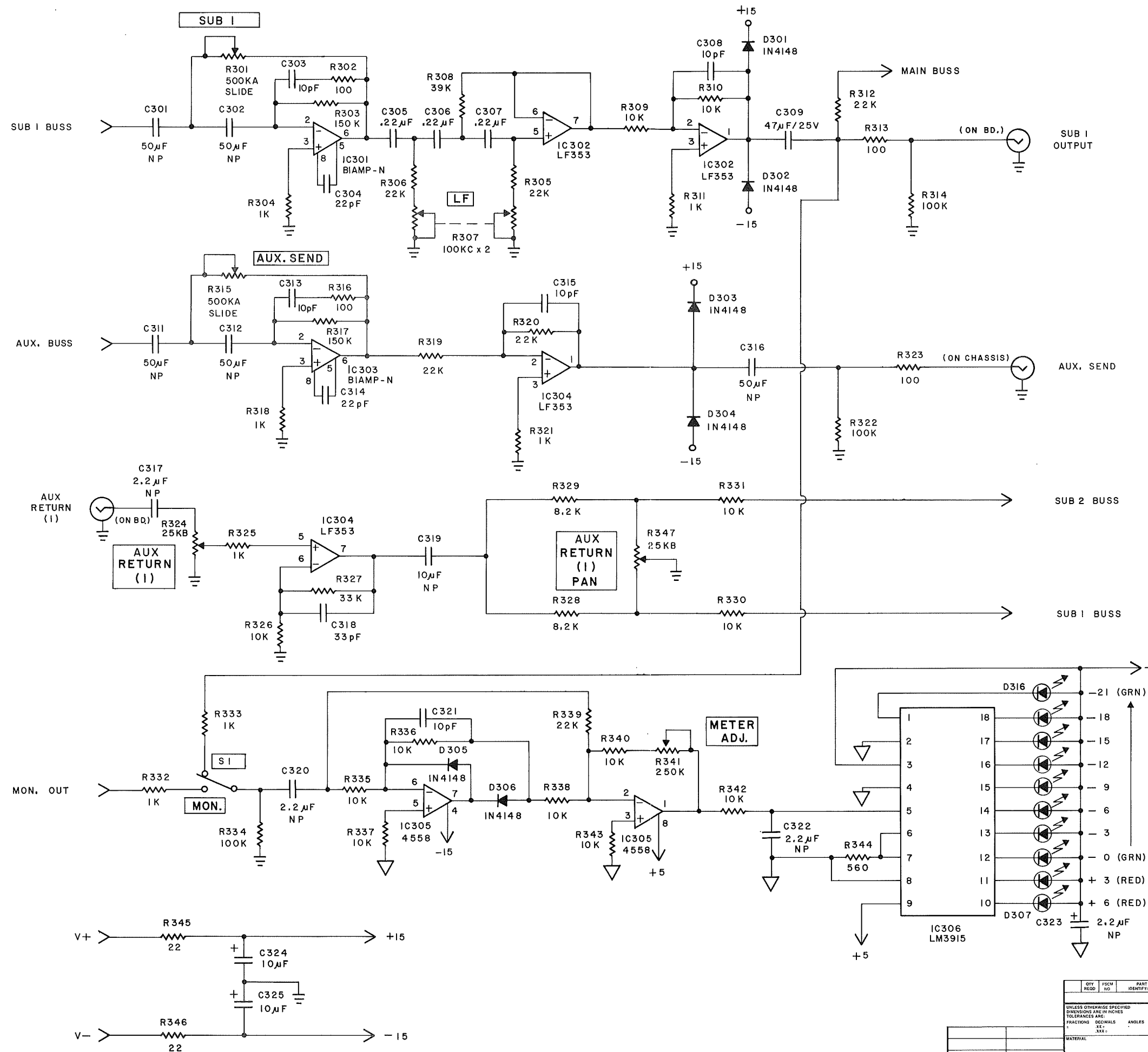
QTY		FSCM		PART OR IDENTIFYING NO.		NOMENCLATURE OR DESCRIPTION		MATERIAL SPECIFICATION	
UNLESS OTHERWISE SPECIFIED DIMENSIONS ARE IN INCHES TOLERANCES ARE: FRACTIONS DECIMALS ANGLES									
CONTRACT NO.				999-0004 (12) 999-0005 (16)					
DRAWN				GARCIA		DATE		4/80	
CHECKED				21 SERIES INPUT BOARD SCHEMATIC					
ISSUED				SIZE		FSCM NO.		DWG. NO.	
NEXT ASSY				USED ON		SCALE		SHEET 1 OF 5	
APPLICATION				DO NOT SCALE DRAWING					



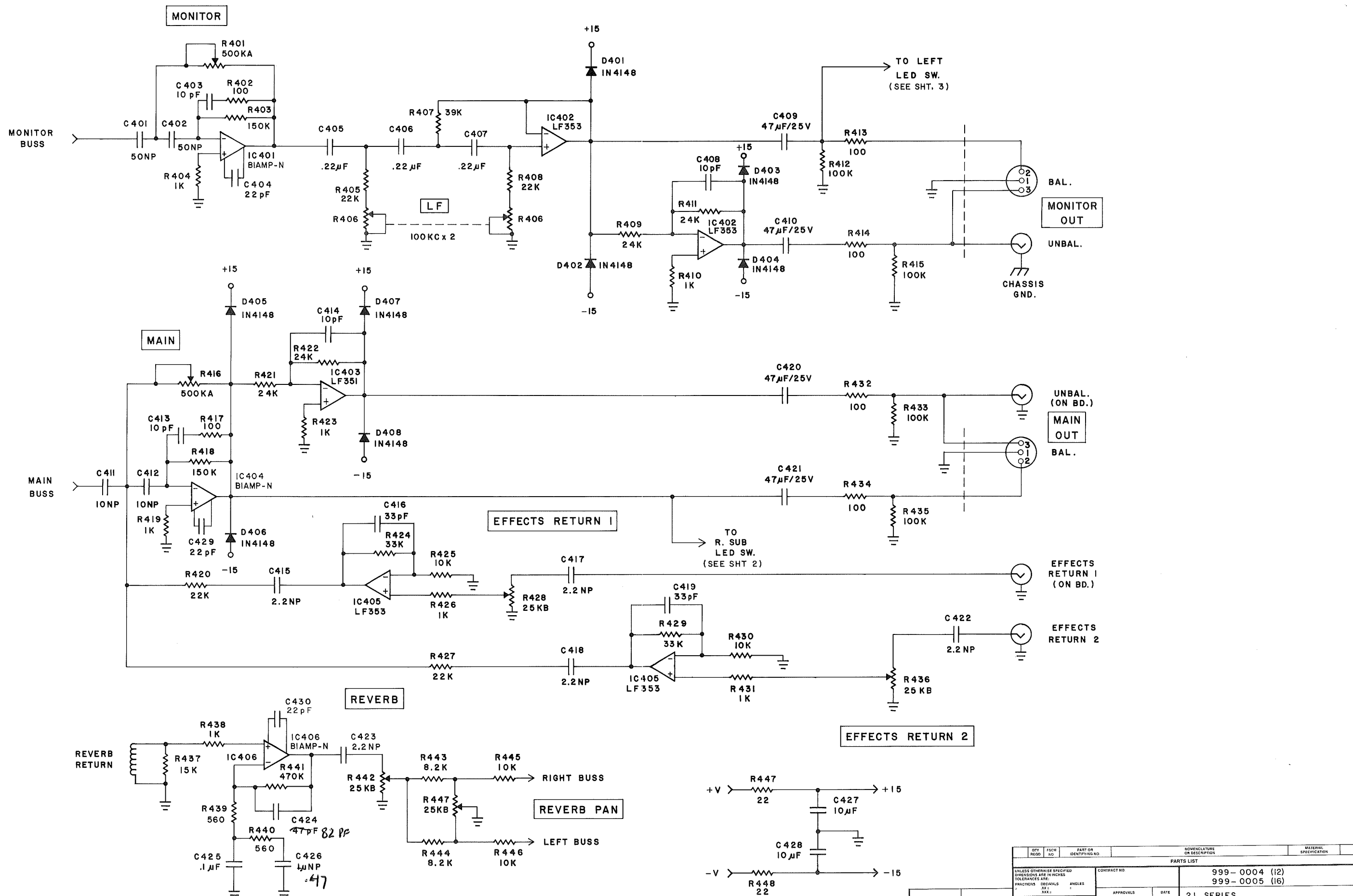
QTY	FSCM	PART OR	NOMENCLATURE	MATERIAL
REQD	NO.	IDENTIFYING	OR DESCRIPTION	SPECIFICATION
PARTS LIST				
UNLESS OTHERWISE SPECIFIED DIMENSIONS ARE IN INCHES TOLERANCES ARE: FRACTIONS DECIMALS ANGLES X.XX .015" X.XX .015"			CONTRACT NO.	999-0004 (12) 999-0005 (16)
MATERIAL			APPROVALS	DATE
FINISH			Drawn Garcia	4/80
NEXT ASSY			CHECKED	
USED ON			ISSUED	
APPLICATION			21 SERIES SUBMASTER (2) (RHT) BD. SCHEM.	
			SIZE	FSCM NO.
			D	DWG. NO.
			SCALE	REV.
				SHEET 2 OF 5



QTY	FCM NO.	PART OR IDENTIFYING NO.	NOMENCLATURE OR DESCRIPTION	MATERIAL SPECIFICATION
PARTS LIST				
UNLESS OTHERWISE SPECIFIED DIMENSIONS ARE IN INCHES TOLERANCES ARE:			CONTRACT NO.	999-0004 (12) 999-0005 (16)
FRACTIONS DECIMALS ANGLES			APPROVALS	DATE
XXX -			A Z	2-12-80
MATERIAL	FINISH	ISSUED	21 SERIES POWER SUPPLY BD. SCHEMATIC DRAWING	
SIZE	FSCM NO.	DWG. NO.	SCALE	REV.
D				
APPLICATION	DO NOT SCALE DRAWING	SCALE	SHEET 5 OF 5	

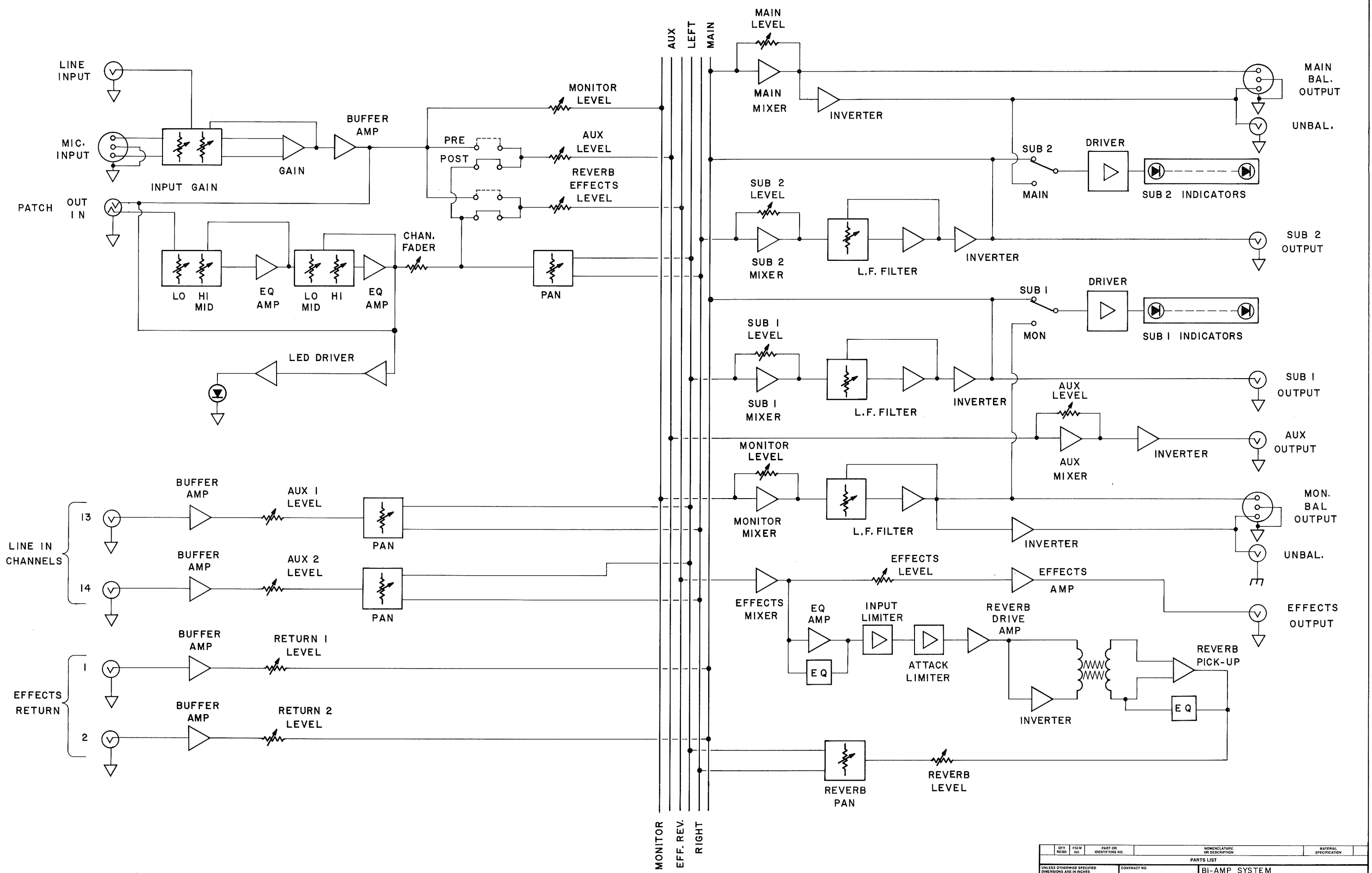


QTY	RECD	FSCM NO	PART OR IDENTIFYING NO	NOMENCLATURE OR DESCRIPTION	MATERIAL SPECIFICATION
PARTS LIST					
UNLESS OTHERWISE SPECIFIED DIMENSIONS ARE IN INCHES TOLERANCES ARE: FRACTIONS DECIMALS ANGLES				CONTRACT NO. 999-0004 (12)	
				999-0005 (16)	
MATERIAL				APPROVALS	DATE
FINISH				DRAWN Garcia	4/80
NEXT ASSY				CHECKED	
USED ON				ISSUED	
APPLICATION				SCALE	
DO NOT SCALE DRAWING				SIZE	
				DWG. NO.	
				REV.	
				SCALE	
				SHEET 3 OF 5	



QTY		FSCM NO.		PART OR IDENTIFYING NO.		NOMENCLATURE OR DESCRIPTION		MATERIAL SPECIFICATION	
PARTS LIST									
UNLESS OTHERWISE SPECIFIED DIMENSIONS ARE IN INCHES TOLERANCES ARE: FRACTIONS DECIMALS ANGLES						CONTRACT NO. 999-0004 (12)			
						999-0005 (16)			
MATERIAL						APPROVALS		DATE	
FINISH						DRAWN		4/80	
NEXT ASSY						CHECKED		Garcia	
USED ON						ISSUED		REV.	
APPLICATION						DO NOT SCALE DRAWING		SCALE	
						SHEET		4 OF 5	

21 SERIES
MAIN BOARD SCHEMATIC



LINE IN CHANNELS
13
14

EFFECTS RETURN
1
2

AUX
LEFT
MAIN
MONITOR
EFF. REV.
RIGHT

QTY	FSCM	PART OR IDENTIFYING NO.	NOMENCLATURE OR DESCRIPTION	MATERIAL SPECIFICATION
PARTS LIST				
UNLESS OTHERWISE SPECIFIED DIMENSIONS ARE IN INCHES TOLERANCES ARE: FRACTIONS DECIMALS ANGLES			CONTRACT NO.	
DRAWN GARCIA 6/80			BI-AMP SYSTEM 9600 SW BARNES RD., PORTLAND, ORE.	
CHECKED			21 SERIES BLOCK DIAGRAM SCHEMATIC	
ISSUED			SIZE FSCM NO. DWG. NO. REV.	
APPLICATION			SCALE SHEET 1 OF 1	